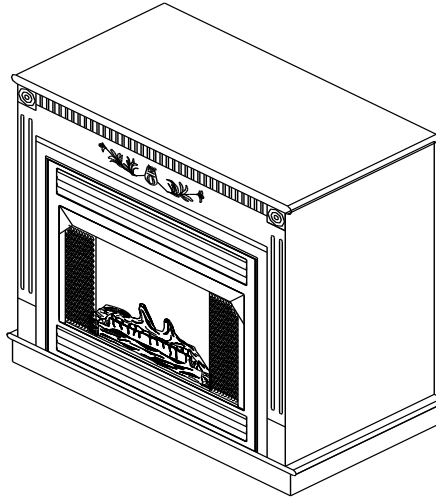


# MODEL FP-327-ZC VENT-FREE GAS HEATER

## MAY BE INSTALLED AS A ZERO CLEARANCE FIREPLACE OR WITH AN OPTIONAL WOODEN SURROUND



**WARNING:** If the information in this manual is not followed exactly, a fire or explosion may result causing property damage, personal injury or loss of life.

- Do not store or use gasoline or other flammable vapors and liquids in the vicinity of this or any other appliance.

### WHAT TO DO IF YOU SMELL GAS

- Do not try to light any appliance.
  - Do not touch any electrical switch; do not use any phone in your building.
  - Immediately call your gas supplier from a neighbor's phone. Follow the gas supplier's instructions.
  - If you cannot reach your gas supplier, call the fire department.
- Installation and service must be performed by a qualified installer, service agency or the gas supplier.

This is an unvented gas-fired heater. It uses air (oxygen) from the room in which it is installed. Provisions for adequate combustion and ventilation air must be provided. Refer to section "Producing Adequate Ventilation" page 14.

This appliance may be installed in an aftermarket, permanently located, manufactured (mobile) home, where not prohibited by local codes.

This appliance is only for use with the type of gas indicated on the rating plate. This appliance is not convertible for use with other gases.

**INSTALLER:** Leave this manual with the appliance.

**CONSUMER:** Retain this manual for future reference.

**MANUFACTURED BY**  
**NEW BUCK CORPORATION**  
**200 ETHAN ALLEN DRIVE,**  
**SPRUCE PINE, N.C. 28777**  
www.buckstove.com

**This appliance is intended for supplemental heating.**  
**This heater shall not be installed in a bedroom or bathroom.**



# TABLE OF CONTENTS

Safety Information and Warnings.....	3
Installation .....	6
Fireplace and Framing Dimensions .....	7
Fireplace Clearances .....	8
Finishing Your Fireplace .....	9
Mantel Profiles For Zero Clearance.....	10
Mantel Installation.....	11
Mobile Home Installation .....	13
Producing Adequate Air For Combustion And Ventilation .....	14
Ventilation Air For Combustion And Ventilation From Inside Building.....	16
Ventilation Air For Combustion And Ventilation From Outdoors.....	17
Gas Connection.....	18
Gas Pressure Check .....	19
Placement of Logs .....	20
Lighting Instructions - Millivolt Valve.....	21
Lighting Instructions - Modulating Valve .....	25
Flame Check .....	29
Wiring Diagram .....	30
Important Safeguards .....	32
Trouble Shooting .....	33
Service/Replacement Parts .....	37
Warranty/Owner Registration.....	Back Cover

## SECTION I

### SAFETY INFORMATION WARNINGS

**IMPORTANT: READ THIS OWNER'S MANUAL CAREFULLY AND COMPLETELY BEFORE TRYING TO ASSEMBLE, OPERATE, OR SERVICE THE APPLIANCE. IMPROPER USE OF THESE LOGS CAN CAUSE SERIOUS INJURY OR DEATH FROM BURNS, FIRE, EXPLOSION, AND CARBON MONOXIDE POISONING.**

Early signs of carbon monoxide poisoning resemble the flu, with headaches, dizziness, and/or nausea. If you have these signs, the heater may not be working properly. Get fresh air at once! Have heater serviced. Some people-pregnant women, persons with heart or lung disease, anemia, those under the influence of alcohol, and those at high altitudes-are more affected by carbon monoxide than others.

**CAUTION: Strong drafts, such as a ceiling fan placed directly in front of the heater (pulling from either direction) may create sooting. Sooting will discolor walls.**

1. The installation must conform with local codes ,or in the absence of local codes, with the *National Fuel Gas Code, ANSI Z223.1/NFPA54.*
2. **This appliance may be installed in an After-Market\* Manufactured (Mobile) Home, where not prohibited by state or local codes.**  
\* (After-Market: Completion of sale, not for purpose of resale from the manufacturer.)

**This appliance is only for use with the type of gas indicated on the rating plate. This appliance is not convertible for use with other gases.**

**NOTE:** See Section VII, "Producing Adequate Air For Combustion And Ventilation" page 14.

**IMPORTANT: VENT-FREE HEATERS ADD MOISTURE TO THE AIR. ALTHOUGH THIS IS BENEFICIAL, INSTALLING HEATER IN ROOMS WITHOUT ADEQUATE VENTILATION MAY CAUSE MILDEW TO FORM FROM TOO MUCH MOISTURE.**

3. Never install this heater:
  - ◆ in a recreational vehicle, bathroom, bedroom, or any other sleeping quarters
  - ◆ where curtains, furniture, clothing, or other flammable objects are less than 42" from the front of the heater
  - ◆ in high traffic areas or in windy areas
4. Two models are available. One specific model for propane (LP), and one for natural gas. Use the correct type gas for your home. Do not convert from one gas type to another.

**NOTE:** This appliance complies with ANSI Z21.11.2b-2010 Unvented Room Heater.

**WARNING: ANY CHANGE TO THIS HEATER OR ITS CONTROLS CAN BE DANGEROUS.**

#### WARNING

This appliance is equipped for (natural or propane) gas .  
Field conversion is not permitted.

5. If this heater is used with propane gas, do not place propane supply tank (s) inside any structure.
6. What To Do IF You Smell Gas:
  - Shut off gas supply.
  - Do not try to light any appliance.
  - Do not touch any electrical switch. Do not use any phone in your building.
  - Immediately call your gas supplier from a neighbor's phone.
  - Follow the gas supplier's instructions.
  - If you cannot reach your gas supplier, call the fire department.
7. When operated for the first time, the logs may emit a "paper burning" smell. This smell will gradually diminish and will be totally eliminated after the first few hours of operation. Run the gas logs with the flue damper open during this time. Do not use blower at this time.
8. This heater shall not be installed in unusually tight construction unless provisions are provided for adequate combustion and ventilation air. *See Producing Adequate Air For Combustion And Ventilation, page 14.*
9. Surface of gas logs becomes very hot when operating. Keep children and adults away from hot surface. Gas logs will remain hot for sometime after shutdown. Allow surface to cool before touching.
10. Do not place clothing or other flammable material on or near the appliance.
11. If equipped, fresh air damper must be closed.
12. Keep appliance area clean and free from combustible materials, gasoline and other flammable flammable vapors and liquids. .
13. If burner shuts off, do not relight until you provide fresh outside air. If burner continues to shut off, have unit serviced.
14. Do not use this heater if any part has been under water. Immediately call qualified service technician to inspect the room heater and to replace any part of the control system and any gas control which has been under water.
15. Turn off the heater and let cool before servicing.
16. These logs are made of bonded fiber. When removing logs and base, do not damage the bonded material. If the material is damaged extensively, loose fiber dust could be emitted into the air.
17. Any safety screen or guard removed for servicing an appliance must be replaced prior to operating the heater.
18. This appliance is intended for supplemental heating.
18. **WARNING:** Any change to this heater or its controls can be dangerous.
19. Installation and repairs should be performed by a qualified service person. The appliance should be inspected before use and at least annually by a professional service person. More frequent cleaning may be required due to excessive lint from carpeting, bedding material, etc. It is imperative that control compartments, burners and circulating air passageways of the appliance be kept clean.

20. All heater screens must be kept clean when operating the gas logs.
21. **WARNING:** Failure to keep the primary air opening(s) of the burner(s) clean may result in sooting and property damage.
22. Do not use this heater for burning trash or cooking. Never place matches, paper, garbage or any other material on top of logs or into the flames.
23. Do not install or operate this heater in areas where impurities in the air exist (such as tobacco smoke or heavy cooking grease). Particles from impurities may discolor walls.
24. Due to high temperatures, the appliance should be located out of traffic and away from furniture and draperies.
25. Children and adults should be alerted to the hazards of high surface temperature and should stay away to avoid burns or clothing ignition.
26. Young children should be carefully supervised when they are in the same room with the appliance.
27. An unvented room heater having an input rating of more than 10,000 Btu per hour shall not be installed in a bedroom or bathroom.
28. The appliance and its appliance main gas valve must be disconnected from the gas supply piping system during any pressure testing of that system at test pressure in excess of 1/2 psi (3.5 kPa).
29. The appliance must be isolated from the gas supply piping system by closing its equipment shut-off valve during any pressure testing of the gas supply piping system at test pressures equal to or less than 1/2 psi (3.5 kPa).
30. **WARNING:** Do not allow fans to blow directly into fireplace. Avoid any drafts that alter burner flame patterns.
31. **WARNING:** Do not use a blower insert, heat exchanger insert or other accessory not approved for use with this heater.

## SECTION II

# ZERO CLEARANCE INSTALLATION

The installation must conform with local codes, or in the absence of local codes, with the *National Fuel Gas Code, ANSI Z223.1/NFPA54*.

**This appliance may be installed in an After-Market\* Manufactured (Mobile) Home, where not prohibited by state or local codes.**

\* (After Market: Completion of sale, not for the purpose of resale from the manufacturer).

This appliance is only for use with the type of gas indicated on the rating plate. This appliance is not convertible for use with other gases.

**NOTE:** See "Producing Adequate Air For Combustion And Ventilation" page 14.

### CHOOSING THE LOCATION FOR YOUR FIREPLACE:

Figure 1 shows some of the many ways your fireplace may be installed. Consider the traffic pattern in your room and the location of doors and windows. Moving air from ceiling fans, open doors, and hot air grills may cause the flames to sputter. If a disturbance is found that affects the flames, it must be eliminated by turning off the ceiling fan, closing the door, or closing or moving the hot air register. A corner location may be best where space is limited.

Your fireplace weighs no more than some of your fine furniture. If the fireplace is located near a load bearing wall, additional supports to the foundation will not be necessary. HEAVY FACINGS, SUCH AS BRICK, STONE, ETC., MAY REQUIRE ADDITIONAL FOUNDATION SUPPORT.

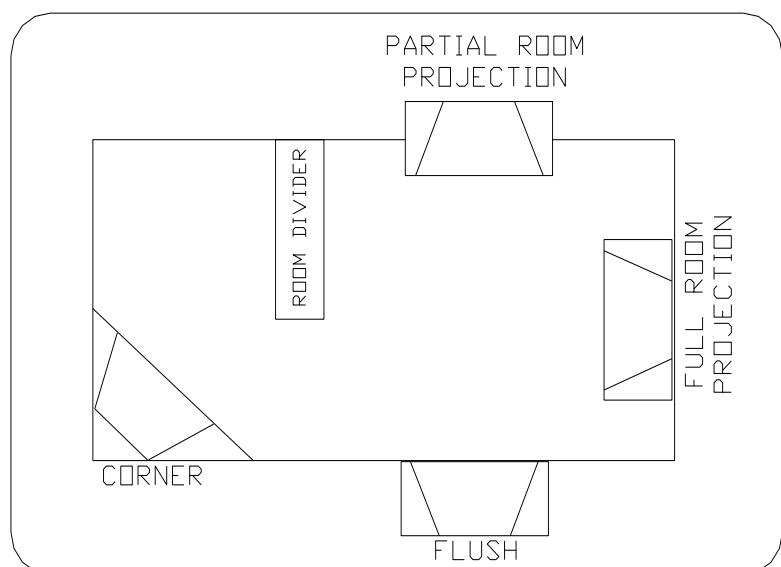
**NOTE: If this appliance is installed directly on carpeting, tile or other combustible material, other than wood flooring, the appliance shall be installed on a metal or wood panel extending the full width and depth of the appliance.**

### GAS LINE

The gas supply line and electrical supply must be installed before framing in the fireplace by a licensed installer.

### DRAFTS

Do not locate the fireplace in high traffic areas or areas exposed to high drafts and winds. Locate the fireplace away from furniture and draperies.



## Fireplace and Framing Dimensions (inches)

**NOTE: Do not obstruct air openings around appliance. Maintain adequate clearances around air openings.**

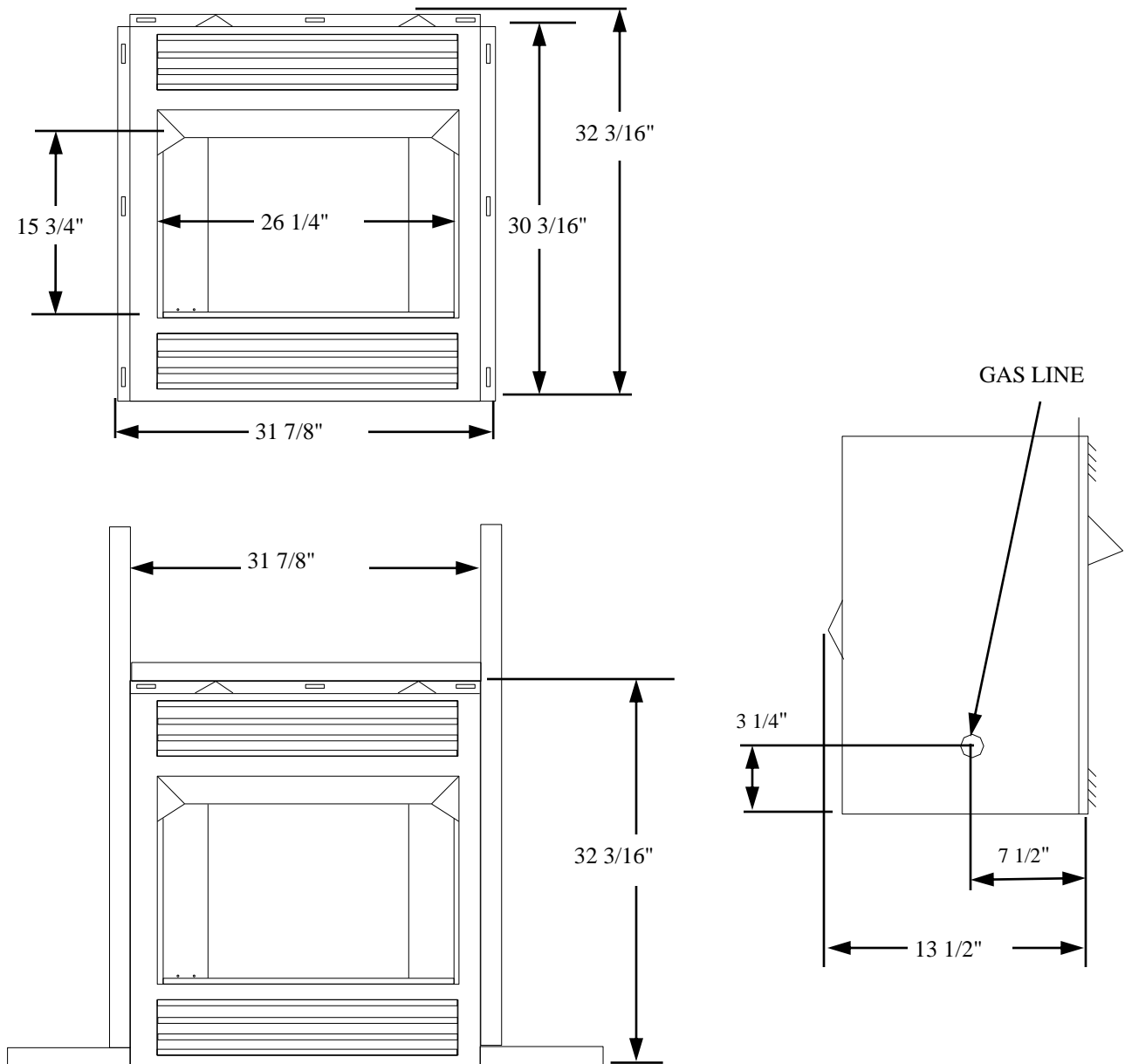


Figure 2

**WARNING: Installation and repairs should be performed by a qualified service person. The appliance should be inspected before use and at least annually by a professional service person. More frequent cleaning may be required due to excessive lint from carpeting, bedding material, etc. It is imperative that control compartments, burners and circulating air passageways of the appliance be kept clean.**



## FIREPLACE CLEARANCES

The fireplace may be placed directly on a combustible floor, against a combustible wall at marked clearances, or on a raised wooden platform.

If the fireplace is to be installed on a raised wooden platform, the platform must be a continuous level surface.

The fireplace must be secured in place so it cannot shift positions. The nailing flanges on the sides of the firebox make securing it to the framing easy. They were designed to allow the installation of 1/2" wallboard or plywood flush with the face of the fireplace.

Only the header (see Figure 2) may rest on the standoffs on top of the firebox.

When the firebox is installed over carpeting, vinyl tile, or

any combustible material other than wood flooring, it must be installed on a metal or wood panel extending its full width and depth. Alternatives, the carpeting, vinyl tile, etc. may be removed beneath the fireplace before installing.

COMBUSTIBLE MATERIALS MUST NOT BE INSTALLED OVER OR TOUCH ANY BLACK PAINTED SURFACE. DO NOT BLOCK HEAT CIRCULATING AIR OUTLETS. DOING SO MAY RESULT IN POTENTIAL FIRE HAZARDS.

1. **Sidewall Clearances:** Clearances from the side of the fireplace opening to any adjacent combustible wall should not be less than 7" right side, 7" left side.

2. **Ceiling Clearances:** The ceiling height should not be less than 42" from the top of the fireplace opening.

## INSTALLING THE FIREBOX

This list of specific instructions will help you make certain that every installation operation is performed correctly. Complete the installation steps in the sequence shown.

LOCAL BUILDING CODES SHOULD BE CONSULTED IN ALL CASES AS TO THE PARTICULAR REQUIREMENTS CONCERNING THE INSTALLATION OF FACTORY BUILT FIREPLACES. Select the location for the fireplace by taking into consideration the factors previously outlined in the "Choosing the Location." See page 6.

### Framing the Firebox

The width of the framed opening must be 31 7/8". The height of the framed opening must be 32 3/16". The entire fireplace can be elevated above the floor to achieve a raised hearth effect. This can be done by adding a small platform to achieve the desired height.

**NOTE:** The wiring for the lower blower must be installed during the framing stage. The nailing flanges on both sides were designed to allow the installation of 1/2" wallboard or plywood flush with the face of the fireplace.

When the framing is inside, the outside wall will be insulated. If the framing or chase is outside, thin insulation should be used in the framing on the back, sides, and top. The bottom should be insulated with a hard insulating board. This will prevent cold from going into the chase through the fireplace to the living space.

### Install the Firebox

Install the firebox into the framed opening by placing it directly in front of the opening and sliding it into the proper position.

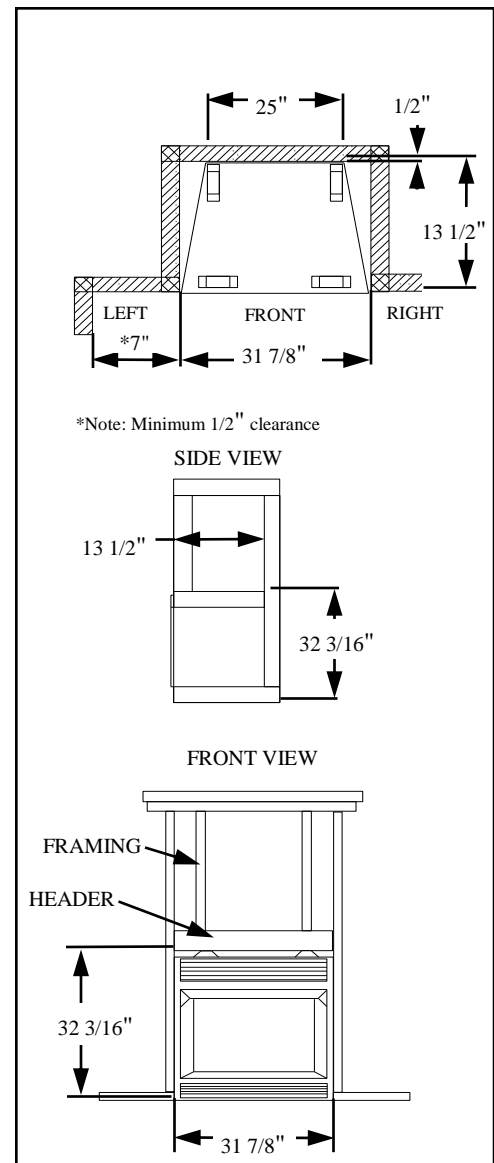
### Level the Firebox

Check the level of the firebox on the top edge of the fireplace face.

Shim if necessary.

### Secure the Firebox

Secure the fireplace to the framing. The nailing flanges on the firebox will make securing the firebox to the frame quick and easy. Use appropriate size nails or screws to secure the firebox.



## FINISHING YOUR FIREPLACE

There is a wide variety of finishing material available for your fireplace from formal wall treatments with marble and mantels, to rustic wood paneling, stone or brick. Non-combustible materials used in this installation such as slate, tile, marble, etc. must be at least 1/2" thick.

**IT IS IMPORTANT THAT THE BLACK FACE OF THE FIREPLACE NOT BE COVERED WITH ANY TYPE OF COMBUSTIBLE MATERIAL.**

Non-combustible facing materials such as marble, brick, or ceramic tile may overlap the black face of the fireplace up to the opening on either side of the fireplace. Seal all joints between the black fireplace face and the wall covering with a heat-resistant material such as rock, wool, insulation or mortar. Be sure to use high temperature adhesive or mortar when anchoring brick, stone, or tile to the face of the fireplace. Check to see whether man-made

brick and stone are made of non combustible materials before using them on the face of the fireplace. Some of these products contain combustible materials. Combustible wall coverings such as paneling or wallboard may not overlap the black face of the fireplace. The space between the wall covering and the fireplace should be sealed with a heat resistant material such as rock, wool, insulation or mortar.

**NOTE:** An "L" shaped steel lintel must be installed across the top of the firebox opening where facing materials such as brick or stone is used on the face of the firebox. It acts as a support/firestop. It should be attached to the face of the fireplace with screws and sealed to the fireplace with a heat-resistant sealer.

### CLEARANCES

To ensure a safe installation, the following must be carefully observed.

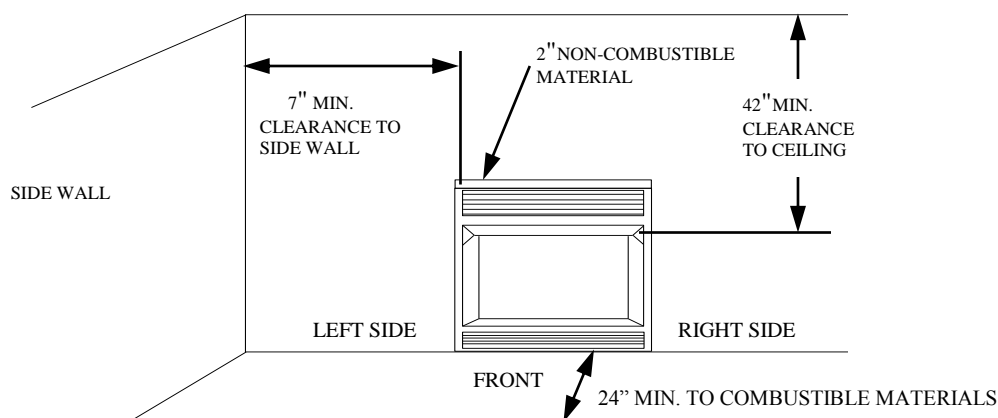
1. **Sidewall Clearances:** Clearances from the side of the fireplace opening to any adjacent combustible wall should not be less than 7" right side, 7" left side. See Figure 4.
2. **Ceiling Clearances:** The ceiling height should not be less than 42" from the top of the fireplace opening.

3. **Mantel Clearances:** We have provided 3 different situations to position your mantel. See Figure 5.

4. **Floor Clearances:** No clearance is required if the appliance is installed per these instructions.

5. **Front Clearances:** 24" to combustible Materials.

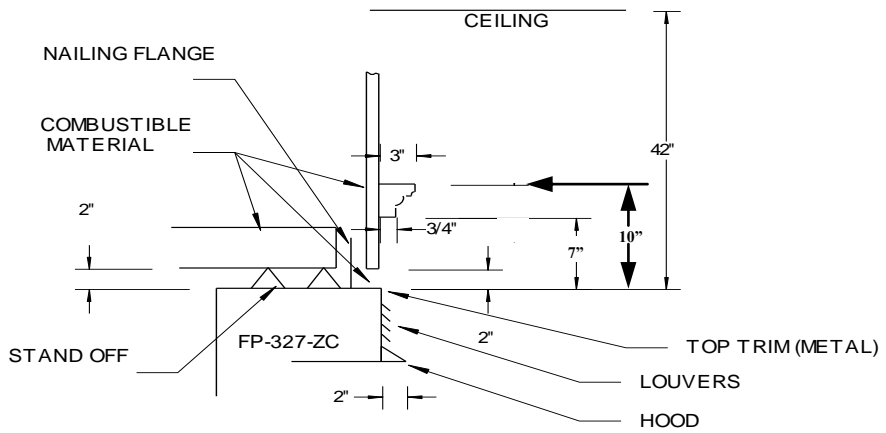
FIGURE 4



# MANTEL PROFILES FOR ZERO CLEARANCE CABINET MUST BE FOLLOWED

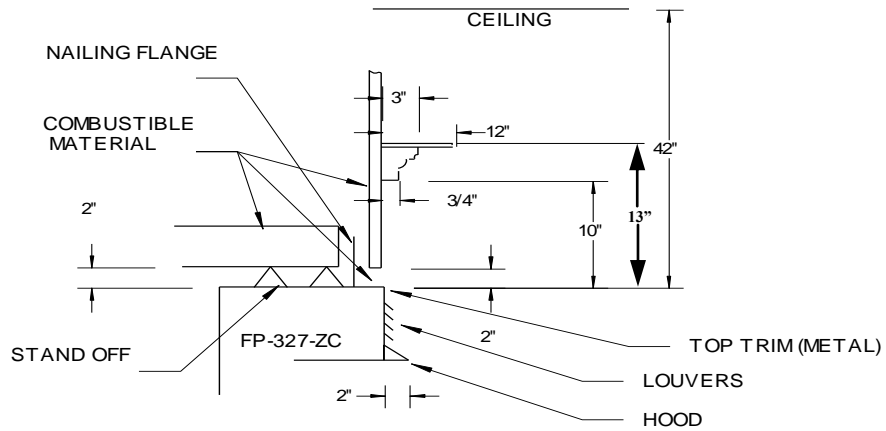
## MANTEL 3/4" FLAT SURFACE

PICTURE. 1



## MANTEL 3/4" FLAT SURFACE

PICTURE. 2



## 2 1/2" FLAT SURFACE

PICTURE. 3

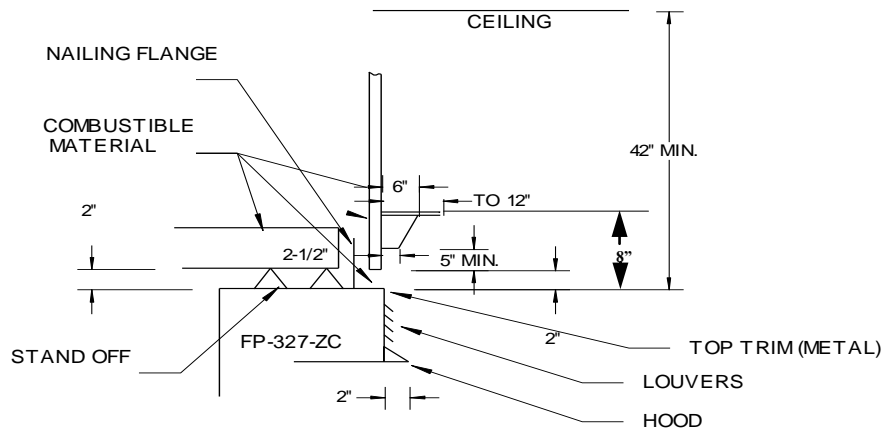


Figure 5

# INSTALLATION OF MODEL FP - 327- ZC WITH OPTIONAL WOODEN MANTEL

(1) When choosing the right location for your heater and mantel keep the following in mind:

**NOTE:** Due to high temperatures, this heater should be located out of traffic areas and away from furniture and draperies.

**NOTE:** Kit No. (PAKDM327) Optional Wooden Mantel for FP-327-ZC.

**CAUTION: THE INSTALLATION MUST CONFORM WITH LOCAL CODES OR, IN THE ABSENCE OF LOCAL CODES, WITH THE NATIONAL FUEL GAS CODES, ANSI Z223.1/ NFPA 54.**

**NOTE:** See page 18 for “Gas Connection” and page 19 for “Gas Pressure Check”.

**WARNING: YOUNG CHILDREN SHOULD BE CAREFULLY SUPERVISED WHEN THEY ARE IN THE SAME ROOM WITH THE APPLIANCE. DO NOT PLACE CLOTHING OR OTHER FLAMMABLE MATERIAL ON OR NEAR THE APPLIANCE**

(2) Screen(s) can not be removed or altered (Position screen(s) in the closed position before leaving heater unattended).

(3) Follow instructions for assembly of (Optional) Wooden Mantel. See instructions supplied with mantel.

(4) After mantel has been assembled, slide the heater from the rear into the opening of the mantel.

**NOTE:** Place a cloth or blanket over the front portions of the mantel as not to scar the wood.

(5) Center the heater in the opening of the mantel. See Figure 6.

(6) Fasten mantel to hearth by using 1/2" wood screws.

(7) Insert the nine (9) wood screws provided with mantel through slots on nailing flange and secure in place. See Figure 6.

(8) Position mantel and fireplace into desired location.

**NOTE:** Hook gas supply line into heater. Check for leaks using soap and water, **not an open flame.**

**NOTE:** At this point, you may want to anchor the mantel to the wall or floor.

(9) Now you are ready to position the log set.

(10) To light the heater, see “Lighting Instructions” pages 21 through 28. Make sure you have the right gas valve for Natural or LP gas.

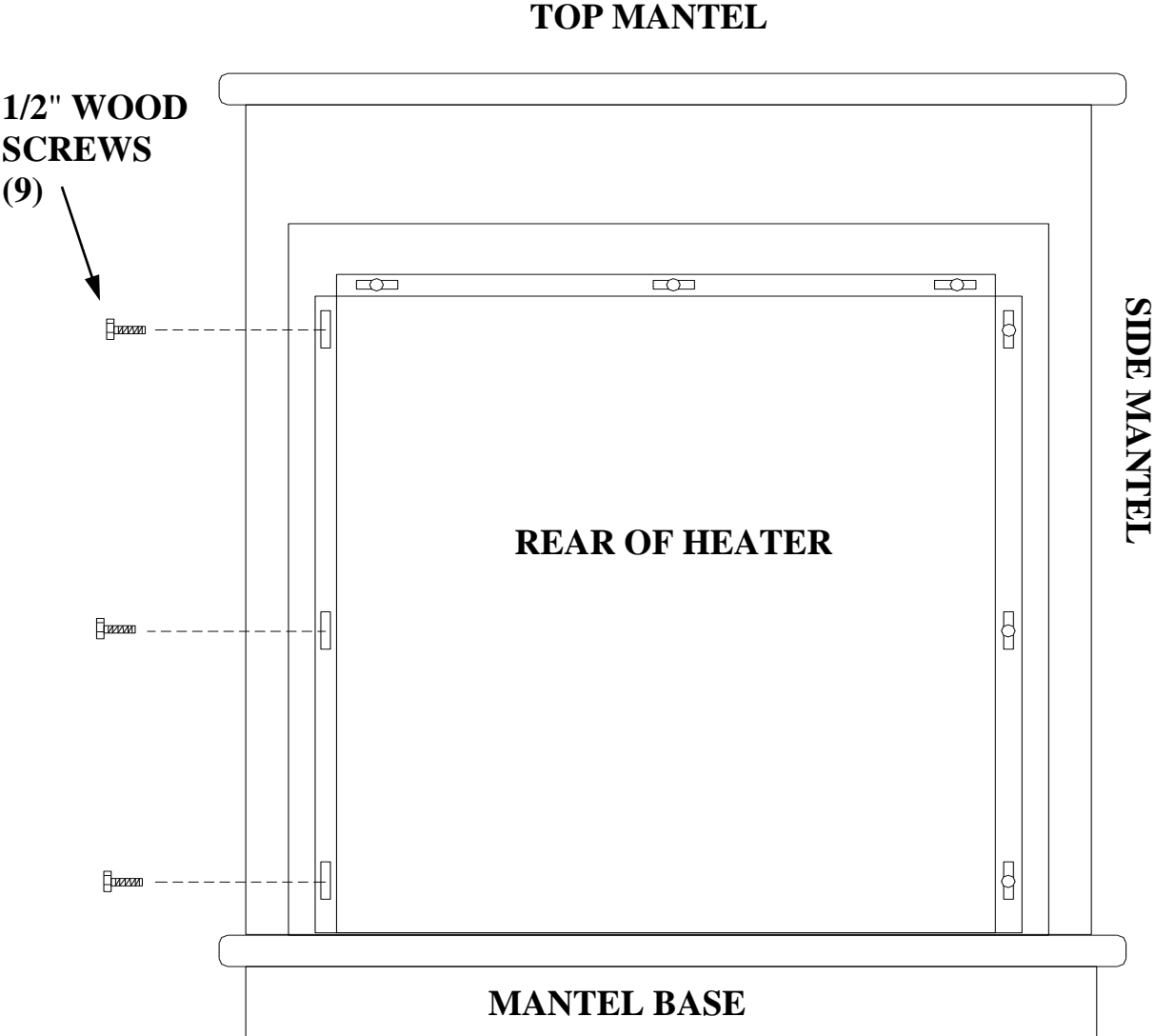


FIGURE 6

## SECTION VI

### **AFTER MARKET MOBILE HOME INSTALLATION**

**NOTE:** See “Producing Adequate Air For Combustion And Ventilation” page 14.

**.THIS APPLIANCE MAY BE INSTALLED IN AN AFTERMARKET\*, PERMANENTLY LOCATED, MANUFACTURED (MOBILE) HOME, WHERE NOT PROHIBITED BY LOCAL CODES.**

\*After Market: Completion of sale, not for the purpose of resale from the manufacturer.

**THIS APPLIANCE IS ONLY FOR USE WITH THE TYPE OF GAS INDICATED ON THE RATING PLATE. THIS APPLIANCE IS NOT CONVERTIBLE FOR USE WITH OTHER GASES.**

**NOTE: For mobile home installation follow “Installation This Instruction Manual”.**

**NOTE:** See “Producing Adequate Air For Combustion And Ventilation” page 14

## PRODUCING ADEQUATE AIR FOR COMBUSTION AND VENTILATION

**This section is for residential or manufactured (mobile) installation**

This heater shall not be installed in unusually tight construction unless provisions are adequate for combustion and ventilation air.

**NOTE:** This heater shall not be installed in a room or space unless the required volume of indoor combustion air is provided by the method in the *National Fuel Gas Code, ANSIZ223.1/NFPA 54*, the *International Fuel Gas Code*, or applicable codes.

The **National Fuel Gas Code, ANSI Z223.1/NFPA 54** defines unusually tight construction or unconfined space as a space whose volume is less than 50 cubic feet per 1,000 BTU per hour (4.8m<sup>3</sup> per kw) of the aggregate input rating of all appliances installed in that space and an unconfined space as a space whose volume is not less than 50 cubic feet per 1,000 BTU per hour (4.8m<sup>3</sup> per kw) of the aggregate input rating of all appliances installed in that space. Rooms communicating directly with the space in which the appliances are installed, through openings not furnished with doors, are considered a part of the unconfined space.

**WARNING: IF THE AREA IN WHICH THE HEATER MAY BE OPERATED DOES NOT MEET THE REQUIRED VOLUME FOR INDOOR COMBUSTION AIR, COMBUSTION AND VENTILATION AIR SHALL BE PROVIDED BY ONE OF THE METHODS DESCRIBED IN THE NATIONAL FUEL GAS CODE, ANSI Z223.1/NFPA 54, THE INTERNATIONAL FUEL GAS CODE, OR APPLICABLE CODES.**

**WARNING: IF THE AREA IN WHICH THE HEATER MAY BE OPERATED IS SMALLER THAN THAT DEFINED AS AN UNCONFINED SPACE OR IF THE BUILDING IS OF UNUSUALLY TIGHT CONSTRUCTION, PROVIDE ADEQUATE AIR FOR COMBUSTION AND VENTILATION BY ONE OF THE METHODS DESCRIBED IN THE NATIONAL FUEL GAS CODE, ANSI Z223.1/NFPA 54 AIR FOR COMBUSTION AND VENTILATION, OR APPLICABLE LOCAL CODES.**

Unusually tight construction is defined as construction where:

- a) Walls and ceilings exposed to the outside atmosphere have a continuous water vapor retarder with a rating of 1 perm (6 x 10<sup>-11</sup> kg per pa-sec-m<sup>2</sup>) or less with openings gasketed or sealed;
- b) Weather stripping has been added on openable windows and doors, and
- c) Caulking or sealants are applied to areas such as joints around window and door frames, between sole plates and floors, between wall-ceiling joints, between wall panels, at penetrations for plumbing, electrical, and gas lines, and at other openings.

**NOTE: SOME AREAS IN THE UNITED STATES HAVE HIGHER REQUIREMENTS FOR CUBIC FEET PER 1000 BTU/HOUR INPUT. (EX. CINCINNATI, OHIO CODES REQUIRE 70 CUBIC FEET). CHECK YOUR LOCAL CODE BEFORE INSTALLATION.**

## DETERMINING FRESH-AIR FLOW FOR HEATER LOCATION

DETERMINE IF YOU HAVE UNUSUALLY TIGHT CONSTRUCTION OR UNCONFINED SPACE

Use this worksheet to determine if you have confined or unconfined space.

**SPACE:** Includes the room in which you will install heater plus adjoining rooms with doorless passageways or ventilation grills between the rooms.

1. **Determine the volume of the space (length x width x height).**

Length x Width x Height = \_\_\_\_\_ cu.ft.(volume of space)

EXAMPLE: 20 ft.(Length) x 16 ft.(Width) x 8 ft.(ceiling Height)=  
2560 cu. ft. (volume of space)

If additional ventilation to adjoining room is supplied with grills or openings, add the volume of these rooms to the total volume of the space.

2. **Divide the space volume by 50 cubic feet to determine the maximum BTU/Hr the space can support.**

\_\_\_\_\_ (volume of space)/50 cu. ft. =maximum BTU/Hr the space can support)

EXAMPLE: 2560 cu. ft. (volume of space /50 cu. Ft .= 51.2 or  
51200 (maximum BTU/Hr the space can support)

3. Add the BTU/Hr of all fuel burning appliances in the space.

Vent-free heater	_____	BTU/Hr
Gas water heater*	_____	BTU/Hr
Gas furnace	_____	BTU/Hr
Vented gas heater	_____	BTU/Hr
Gas fireplace logs	_____	BTU/Hr
Other gas appliances*	+ _____	BTU/Hr
Total	= _____	BTU/Hr

Example: Gas water heater 40000 BTU/Hr  
Vent-free heater + 18000 BTU/Hr  
Total = 58000 BTU/Hr

\*Does not include direct-vent gas appliances. Direct-vent draws combustion air from the outdoors and vents to the outdoors.

4. Compare the maximum BTU/Hr the space can support with the actual amount of BTU/Hr used.

\_\_\_\_\_ BTU/Hr (maximum the space can support)  
\_\_\_\_\_ BTU/Hr (actual amount of BTU/Hr used)

Example: 51200 BTU/Hr (maximum the space can support)  
58000 BTU/Hr (actual amount of BTU/Hr used)

The space in the above example is unusually tight construction because the actual BTU/Hr used is more than the maximum BTU/Hr the space can support. You must provide additional fresh air. Your options are as follows: A. Rework worksheet, adding the space of an adjoining room. If the extra space provides an unconfined space, remove door to adjoining room or add ventilation grills between rooms. See "Ventilation Air For Combustion And Ventilation From Inside Building", page 16.

B. Vent room directly to the outdoors. See "Ventilation Air For Combustion And Ventilation From Outdoors", page 17.

C. Install a lower BTU/Hr heater, if lower BTU/Hr size makes room unconfined. If the actual BTU/Hr used is less than the maximum BTU/Hr the space can support, the space is an unconfined space. You will need no additional fresh air ventilation.

**WARNING: YOU MUST PROVIDE ADDITIONAL VENTILATION AIR IN A UNUSUALLY TIGHT CONSTRUCTION.**



## VENTILATION AIR FOR COMBUSTION AND VENTILATION FROM INSIDE BUILDING

This fresh air would come from an adjoining unconfined space. When venting to an adjoining space, you must provide two permanent openings: one within 12" of the ceiling and one within 12" of the floor on the wall connecting the two spaces (see Options 1 and 2, Figure 7). You can also remove door into adjoining room (see Option 3, Figure 7).

### WARNING

**REWORK WORKSHEET, ADDING THE SPACE OF THE ADJOINING UNCONFINED SPACE. THE COMBINED SPACES MUST HAVE ADEQUATE AMOUNT OF AIR TO SUPPLY ALL APPLIANCES IN BOTH SPACES.**

**NOTE:** Each opening shall have a minimum free area of 1 square inch per 1000 BTU's per hour of the total input ratings of all gas utilization equipment in the confined space, but not less than 100 square inches.

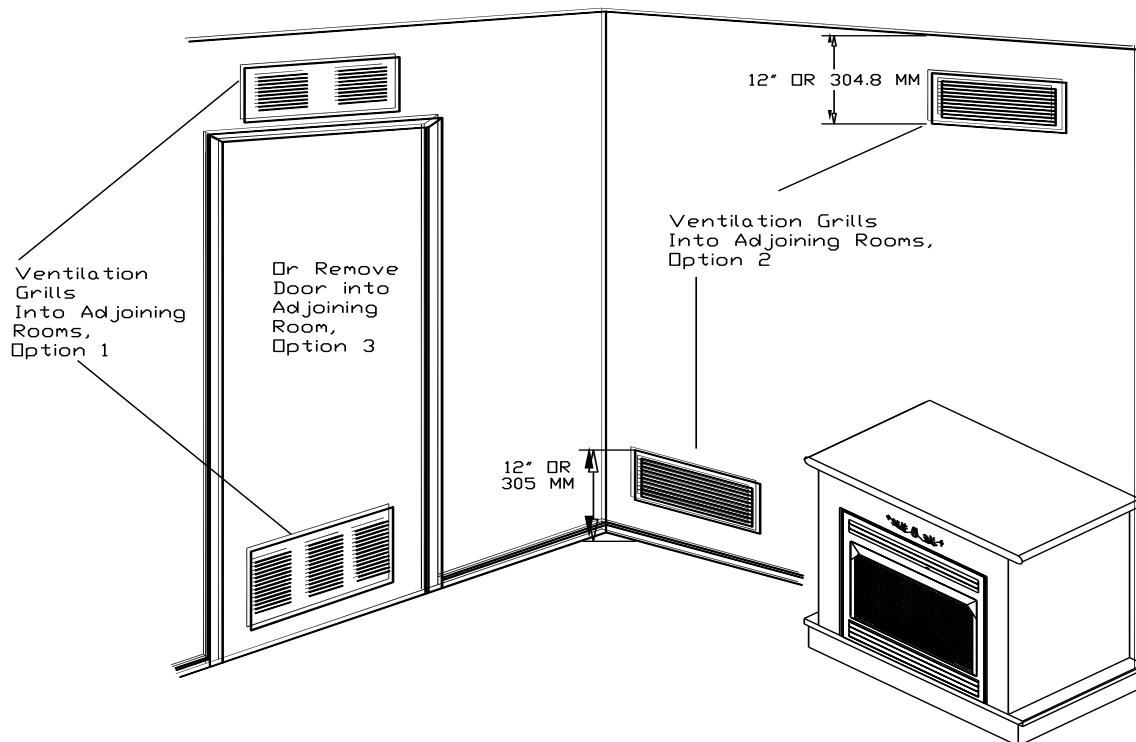


Figure 7 Ventilation Air From Inside Building

**NOTE:** This heater shall not be installed in a room or space unless the required volume of indoor combustion air is provided by the method in the *National Fuel Gas Code, ANSIZ223.1/NFPA 54*, the *International Fuel Gas Code*, or applicable codes.



## WARNING

**THIS APPLIANCE MUST HAVE ADEQUATE AMOUNT OF AIR FOR PROPER OPERATION. IF NOT, POOR FUEL COMBUSTION COULD RESULT. READ THE FOLLOWING INSTRUCTIONS TO ENSURE PROPER AMOUNT OF AIR FOR THIS AND OTHER FUEL-BURNING APPLIANCES IN YOUR HOME.**

### VENTILATION AIR FOR COMBUSTION AND VENTILATION FROM OUTDOORS

Provide extra fresh air by using ventilation grills or ducts. You must provide two permanent openings: one within 12" of the ceiling and one within 12" of the floor. Connect these items directly to the outdoors. These spaces include attics and crawl spaces. Follow the **National Fuel Gas Code NFPA 54/ANSI Z223.1**, Section 5.3, "Air For Combustion and Ventilation" for required size of ventilation grills or ducts.

**IMPORTANT:** Do not provide openings for inlet air into attic if attic has a thermostat-controlled power vent. Heated air entering the attic will activate the power unit.

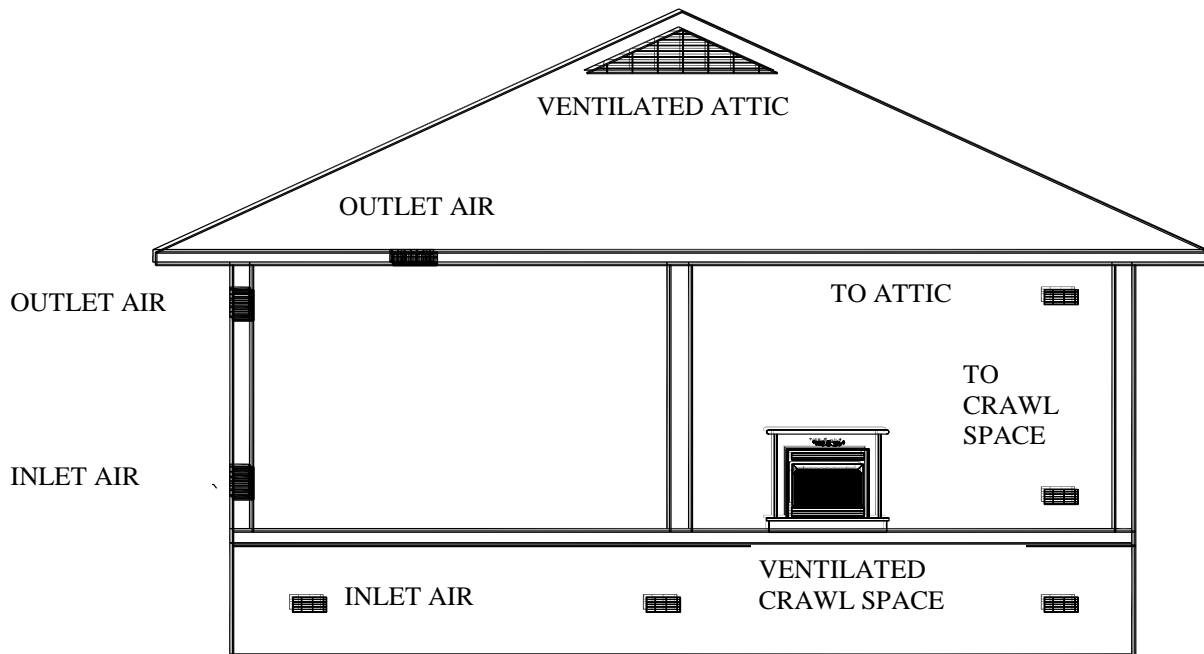


FIGURE 8

**WARNING: ANY CHANGE TO THIS HEATER OR ITS CONTROLS CAN BE DANGEROUS**

## **GAS CONNECTION**

Check gas type. Use only the type of gas indicated on the valve rating plate. If the gas type listed on the plate is not your type of gas supply, **DO NOT INSTALL.** Contact your dealer for proper model.

Always use an external regulator for all LP heaters to reduce the supply tank pressure to a maximum of 13" W.C. This is in addition to the regulator furnished with the heater.

**WARNING: CONNECTION DIRECTLY TO AN UNREGULATED LP TANK CAN CAUSE AN EXPLOSION.**

The normal gas connection is 3/8" N.P.T. made at the left side (facing the front of the appliance) of the appliance. If a right side connection is desired, the connecting pipe may be led under the rear of the burner base to terminate at the right side for connection to the inlet of the valve.

**NOTE:** The connecting pipe must be internally tinned copper tubing for use with natural gas. Test for leaks using a solution of soap and water after completing the connection. **DO NOT USE OPEN FLAME.**

**NOTE:** If the factory-built fireplace has no gas access hole(s) provided, an access hole of 1.5 inch (37.5mm) diameter or less may be drilled through the lower sides or bottom of the fire box in a proper workmanlike manner. This access hole must be plugged with non-combustible insulation after the gas supply line has been installed.

**WARNING: Installation and repairs should be performed by a qualified service person. The appliance should be inspected before use and at least annually by a professional service person. More frequent cleaning may be required due to excessive lint from carpeting, bedding material, etc. It is imperative that control compartments, burners and circulating air passageways of the appliance be kept clean.**

## GAS PRESSURE CHECK

Check the inlet pressure to the burner to ensure that it is as shown in the table below.

**NOTE:** The pressure check point is located on the right side of the valve facing burner, for ITT, and the left side for SIT.

The appliance and its appliance main gas valve must be disconnected from the gas supply piping system during any pressure testing of that system at test pressures in excess of 1/2 psi (3.5kPa).

The appliance must be isolated from the gas supply piping system by closing its equipment shut-off valve during any pressure testing of the gas supply piping system at test pressures equal to or less than 1/2 psi (3.5 kPa).

MODEL	FP-327-ZC		FP-327-ZC	
	Natural ITT	Maxitrol	Propane ITT	Maxitrol
Gas				
Maximum Heat Input	27,000	27,000	27,000	27,000
Gas Inlet Pressure:				
Maximum		10.5 ins. W.C.		13 ins. W.C.
Minimum		* 5 ins. W.C.		*11 ins. W.C.
Manifold Pressure		3.5 ins. W.C.		9 ins. W.C.

**NOTE:** On initial installation it may be necessary to bleed out air in the gas lines. Do this by holding the control knob and turning the knob to the “PILOT” position for about 30 seconds.

To check the Regulator pressure, remove the pressure tag plug at the left side of the Regulator facing the heater. The pressure should be checked with the heater burning and the control set on high. After measuring the pressure, replace the pressure tap plug, ensuring that there are no leaks.

\* For the purpose of minimum input adjustment.

### WARNING

**This appliance is equipped for (natural or propane) gas.  
Field conversion is not permitted.**

---

## PLACEMENT OF LOGS

### CERAMIC LOGS

(1) REAR LOG    (2) FRONT LOG    (3) LEFT TOP LOG

**WARNING:** POSITIONING OF LOGS IS VERY CRITICAL (FIGURE 9).

LOG PLACEMENT FOR CR8T LOG SET.

1. Place Rear log #1 on rear log support. The log has an alignment notch on Left and right corners.
2. Place Front log #2 with alignment notches over front andirons.
3. Left Top log has locating hole in one end, place hole over pin on Left side of Rear log (#1) . Make sure Front of Left Top log (#3) is resting on Left side of Left Andiron.

**SEE DIAGRAM ON PAGE 20.**

# PLACEMENT OF LOGS

---

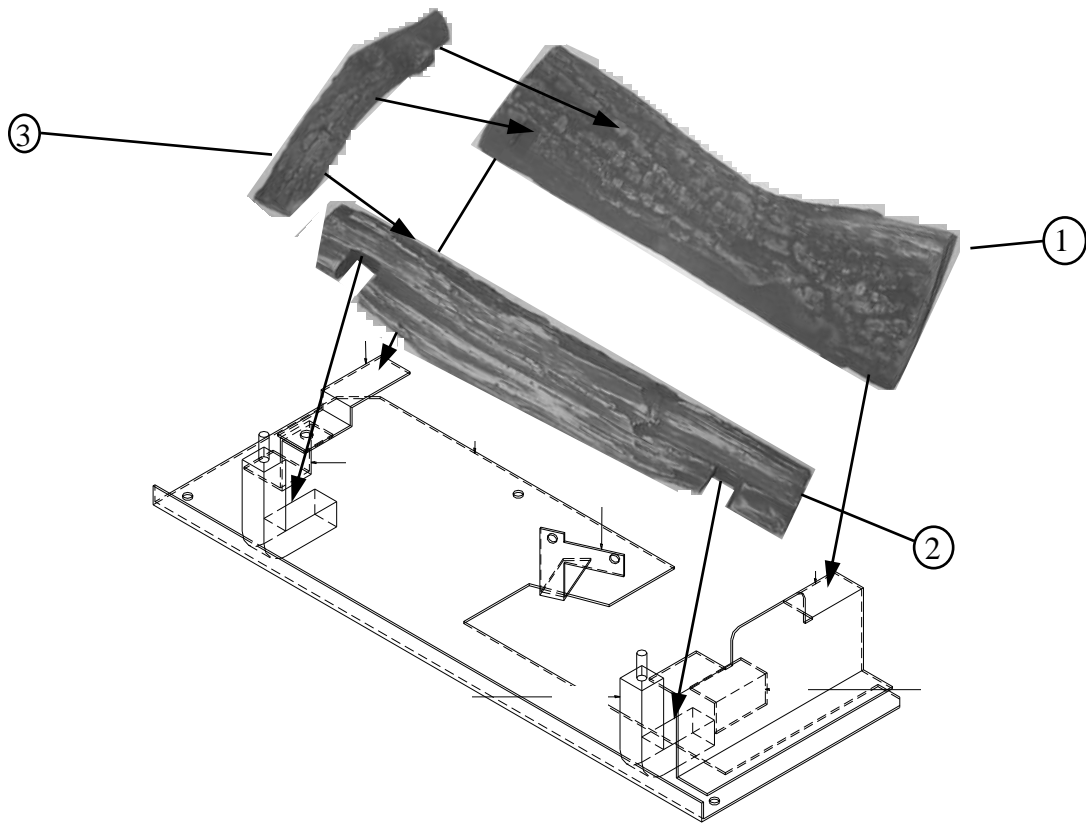


Figure 9

**WARNING: FAILURE TO POSITION THE PARTS IN ACCORDANCE WITH THESE DIAGRAMS OR FAILURE TO USE ONLY PARTS SPECIFICALLY APPROVED WITH HEATER MAY RESULT IN PROPERTY DAMAGE OR PERSONAL INJURY.**

**WARNING: DO NOT ALLOW FANS TO BLOW DIRECTLY INTO THE FIREPLACE. AVOID DRAFTS THAT ALTER BURNER FLAME PATTERN.**

**LIGHTING INSTRUCTIONS  
MILLIVOLT VALVE (ITT)**

**FOR YOUR SAFETY, READ BEFORE LIGHTING**

**WARNING**


**IF YOU DO NOT FOLLOW THESE INSTRUCTIONS EXACTLY, A FIRE OR EXPLOSION MAY RESULT CAUSING PROPERTY DAMAGE, PERSONAL INJURY, OR LOSS OF LIFE.**

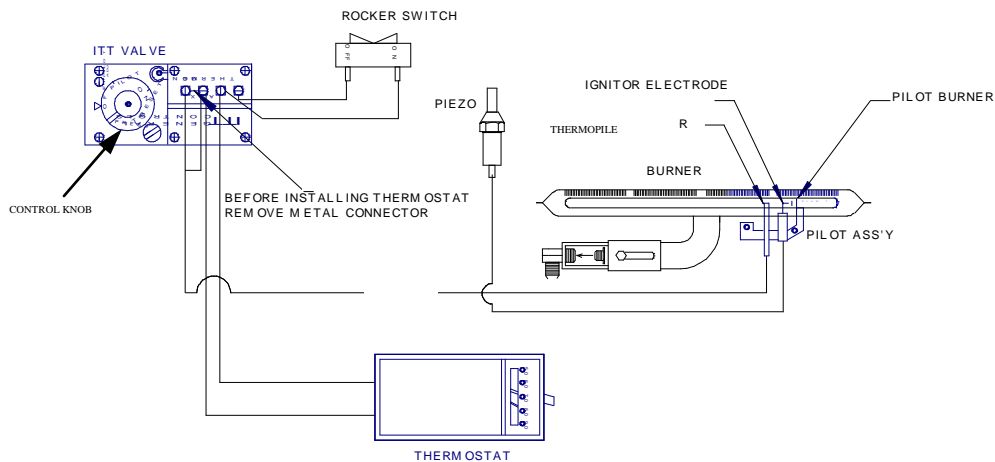
- A. This appliance has a pilot which must be lit by hand. When lighting the pilot, follow these instructions exactly.
- B. **BEFORE LIGHTING** smell around the appliance for gas. Be sure to smell next to the floor because gas is heavier than air and will settle on the floor.

**WHAT TO DO IF YOU SMELL GAS**


- ◆ Do not try to light any appliance.
  - ◆ Do not touch any electrical switch; do not use any phone in your building.
  - ◆ Immediately call your gas supplier from a neighbor's phone. Follow the gas supplier's instructions.
  - ◆ If you cannot reach your gas supplier, call the fire department.
- C. Use only your hand to push in or turn the gas control knob. Never use tools. If the knob will not push in or turn by hand, don't try to repair it, call a qualified service technician. Force or attempted repair may result in a fire or explosion.
- D. Do not use this appliance if any part has been under water. Immediately call a qualified service technician to inspect the appliance and to replace any part of the control system and any gas control which has been under water.

## LIGHTING INSTRUCTIONS

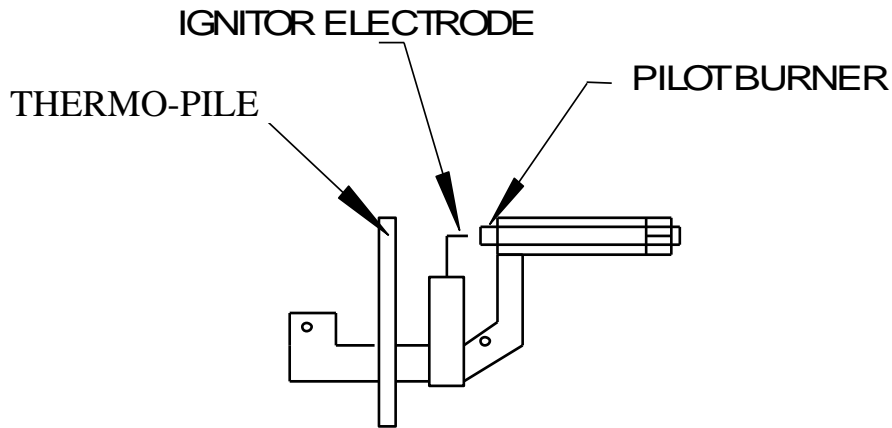
1. **STOP!** Read the safety information on previous page.
2. Make sure the manual shutoff valve is fully closed. If equipped with thermostat set to the lowest setting.
3. Turn off all electrical power to the appliance.
4. Open access panel door located at bottom front of the appliance.
5. Turn control knob clockwise  to the full "OFF" position.




When hooking up a Wall Thermostat to valve, remove the Jumper Bar. Do not remove the existing wires, simply add the wire from the Wall Thermostat to screws (one wire to each screw).

6. Wait five (5) minutes to clear out any gas. Then smell for gas, including near the floor. If you smell gas, **STOP!** Follow "B" in the safety information on the previous page. If you don't smell gas, go to the next step.
  7. Find Pilot: The pilot is located in front of the rear log and burner on the right hand side of the appliance. Fully open the manual shutoff valve.
  8. Push the ON/OFF toggle switch to "OFF" (rocker switch).
  9. Turn gas control knob counterclockwise  to the "PILOT" position. Press in gas control knob for fifteen (15) seconds.
  10. With control knob pressed in, push down (in) and release the igniter button (igniter button is located on the left hand side of the front of the appliance). This will light the pilot. If needed, keep repeating this step until pilot lights.
  11. Keep control knob pressed in for (1) one minute after lighting pilot. After (1) minute, release the gas control knob and it will pop back up. Pilot should remain lit. If pilot goes out, repeat steps 1 through 9.
- If the knob does not pop up when released, stop and immediately call your service technician or gas supplier.

- If the pilot will not stay lit after several tries, turn the gas control knob to “OFF” and call your service technician or gas supplier.




12. Turn control knob counterclockwise  to the “ON” position. Push the “ON/OFF” toggle switch to the “ON” position. The main burner should light.
13. Close access panel door.
14. Turn on all electrical power to the appliance.
15. Set thermostat to desired setting.

**NOTE:** This unit may be used with an optional Wall Thermostat. If so, the Wall Thermostat needs to be set at a higher temperature than the room temperature.

## TO TURN OFF GAS TO APPLIANCE

### SHUTTING OFF UNIT

1. Open access panel door located at bottom front of the appliance.
2. If equipped with thermostat set to lowest setting.”
3. Turn control knob clockwise  to the “OFF” position.
4. Turn off all electric power to the appliance if service is to be performed.
5. Close access panel door.

### SHUTTING OFF BURNER ONLY (Pilot stays lit.)

Turn control knob clockwise  to the “PILOT” position.

## CAUTION



**DO NOT TRY TO ADJUST HEATING LEVELS BY USING THE MANUAL SHUTOFF VALVE.**



## THERMOSTAT CONTROL OPERATION

- This valve operates off of millivolts produced by the generator. You may choose to use an optional Wall Thermostat or Remote control. If so, see Figure 2, page 22 for wiring diagram.

## MANUAL LIGHTING PROCEDURE

1. If the pilot cannot be lit with the piezo, it can be manually lit with the use of a paper match and a lighter rod.
2. Open access panel door located at bottom front of the appliance.
3. Place the match in the holder and light. With the left hand, turn the control knob counterclockwise  to "PILOT" position. Press in gas control knob for fifteen (15) seconds.
4. Use rod to light match and ignite pilot. The pilot is located in front of the rear log and burner on the right hand side of the appliance.
5. Continue to hold the control knob for an additional one (1) minute to ensure the pilot is lit.
6. Turn control knob counterclockwise  to the "ON" position. Push the "ON/OFF" toggle switch to the "ON" position. The main burner should light.
7. Close access panel door.
8. Turn on all electrical power to the appliance.

**NOTE:** This unit may be used with an optional Wall Thermostat. If so, the Wall Thermostat needs to be set at a higher temperature than the room temperature.

**LIGHTING INSTRUCTIONS  
MODULATING VALVE(MAXITROL)  
FOR YOUR SAFETY, READ BEFORE LIGHTING**

**WARNING**


**IF YOU DO NOT FOLLOW THESE INSTRUCTIONS EXACTLY, A FIRE OR EXPLOSION MAY RESULT CAUSING PROPERTY DAMAGE, PERSONAL INJURY OR LOSS OF LIFE.**

- A. This appliance has a pilot which must be lighted by hand. When lighting the pilot, follow these instructions exactly.
- B. **BEFORE LIGHTING:** Smell all around the appliance for gas. Be sure to smell next to the floor because gas is heavier than air and will settle on the floor.

**WHAT TO DO IF YOU SMELL GAS**

- \* Do not try to light any appliance.
  - \* Do not touch any electrical switch; do not use any phone in your building.
  - \* Immediately call your gas supplier from a neighbor's phone. Follow the gas supplier's instructions.
  - \* If you cannot reach your gas supplier, call your local fire department.
- C. Use only your hand to push in or turn the gas control knob. Never use tools. If the knob will not push in or turn by hand, don't try to repair it, call a qualified service technician. Force or attempted repair may result in fire or explosion.
  - D. Do not use this appliance if any part has been under water. Immediately call a qualified service technician to inspect the appliance and to replace any part of the control system and any gas control which has been under water.

# LIGHTING INSTRUCTIONS

1. STOP! Read the safety information on the previous page.
2. Make sure manual shutoff valve is fully **closed**.
3. Open access panel door, located in lower front center of base for access to control knobs.
4. Turn off all electric power to the appliance.
5. Set thermostat (flame control) to lowest setting.
6. Push in and turn control knob clockwise  to the “OFF” position.

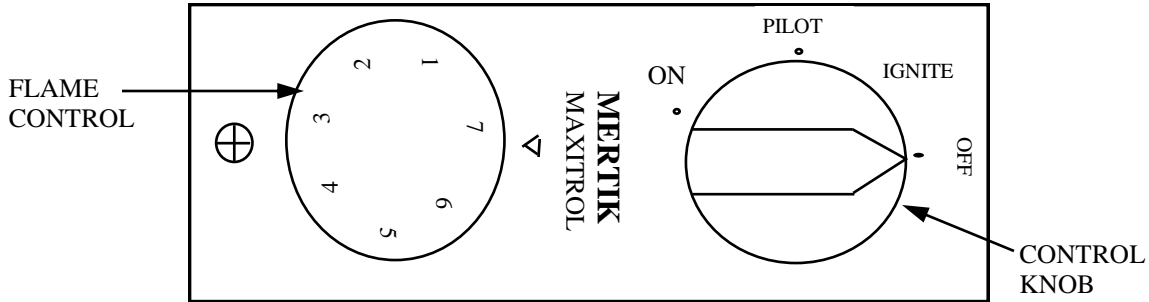





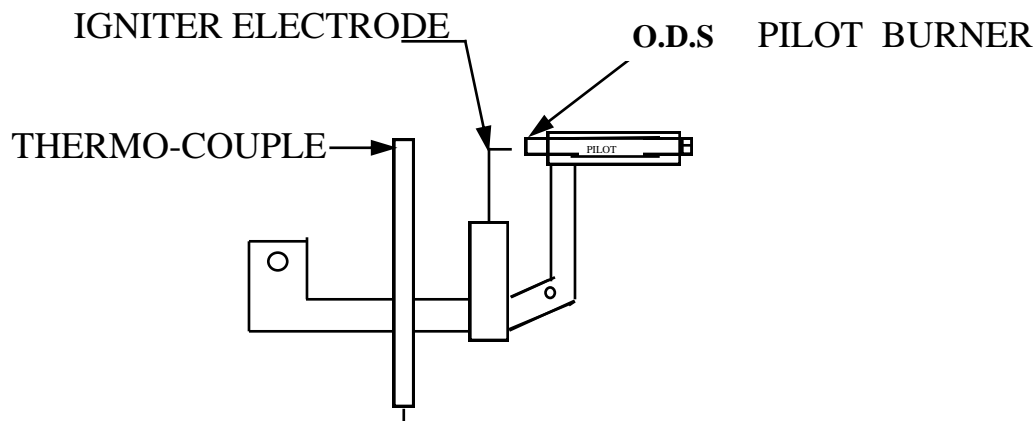


FIGURE 3

7. Wait (5) five minutes to clear out any gas. Then smell for gas, including near the floor. If you smell gas, STOP! Follow step “B” in the safety information on the previous page. If you don’t smell gas, go to the next step.
8. Find Pilot: follow the small metal tub from the right hand rear of the gas control valve. The pilot is located behind the burner tube and in front of the rear log. Fully **open** the manual shut-off valve.
9. Turn control knob counterclockwise  to the “PILOT” position. Press in control knob for (15) fifteen seconds (see figure 3).
10. With control knob pressed in, turn control knob clockwise  to **IGNITE** and then **immediately back** to **PILOT** with the button still pressed in. This will light the pilot. If needed, keep repeating this step until pilot lights.
11. Keep control knob pressed in for one (1) minute after lighting pilot. After (1) minute, release the control knob. If pilot goes out, repeat steps 1 through 9.
  - If the knob does not pop up when released, stop and immediately call your service technician or gas supplier.
  - If the pilot will not stay lit after several tries, turn the gas control knob to “OFF” and call your service technician or gas supplier.
12. Turn control knob counterclockwise  to “ON” position.
13. Set thermostat (flame control) to desired setting. Turn clockwise  for “LOW” and counterclockwise  for “HIGH”.

**“REMOVAL OF THIS MARKING WILL VOID THE COMPLIANCE OF THIS HEATER WITH ANSI Z21.11.2”**



13. Close the access panel door.
14. Turn on all electric power to the appliance.

**CAUTION**

**DO NOT TRY TO ADJUST HEATING LEVELS BY USING THE MANUAL SHUTOFF VALVE.**

## TO TURN OFF GAS TO APPLIANCE

**SHUTTING OFF UNIT:**

1. Open access panel door, located in lower front center of base for access to control knobs.
2. Set thermostat (flame control) to lowest setting.
3. Turn control knob clockwise to the full “OFF” position.
4. Turn off all electrical power to the appliance if service is to be performed.
5. Close access panel door.

**SHUTTING OFF BURNER ONLY (pilot stays lit)**

1. Open access panel door, located in lower front center of base for access to control knobs.
2. Turn control knob clockwise to the “PILOT” position.
3. Close access panel door.

**CAUTION:** Hot while in operation. Do Not Touch. Keep children, clothing, furniture, gasoline, and other liquids having flammable vapors away.

**CAUTION:** DO NOT TRY TO ADJUST HEATING LEVELS BY USING THE MANUAL SHUTOFF VALVE.

**WARNING:** Improper installation, adjustment, alteration, service or maintenance can cause property damage, personal injury, or loss of life. Refer to owner’s information manual provided with this appliance. Installation and service must be performed by a qualified installer, service agency, or the gas supplier.





**IMPORTANT:** Always operate the appliance at the completely “ON” or the completely “OFF” positions. Never use the heater at a setting between these positions as this can result in improper combustion and excessive carbon monoxide emissions.

## THERMOSTAT CONTROL OPERATION

The thermostat control used on this heater differs from standard thermostats. Standard thermostats simply turn the burner on and off. The thermostat used on this heater senses the room temperature and adjusts the amount of gas flow to the burner. This will increase or decrease the flame height. At times, the room may exceed the set temperature, which will cause the burner to shut off. When room temperature drops below the thermostat setting, the burner will cycle itself on again. The flame control knob can be set to any level between 2 and 7.

**NOTE:** The thermostat sensing bulb measures the temperature of air near the heater cabinet. This may not always agree with room temperature ( depending on housing construction, installation location , room size, open air temperature,etc.). Frequent use of your heater will allow you to determine your personal comfort levels.

## MANUAL LIGHTING PROCEDURE

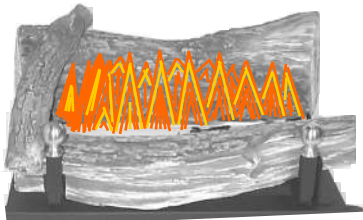
1. If the pilot cannot be ignited with the igniter on the control valve, it can be manually lit with the use of a paper match and a lighter rod.
2. Place the match in the holder and light. With other hand, depress the control knob counterclockwise  to **PILOT**.
3. Use rod to light match and ignite pilot. The pilot is located behind the burner tub and in front of the rear log. Fully **open** the manual shut-off valve.
4. Continue to hold the control knob for an additional (1) one minute to ensure the pilot is completely on.
  - If the knob does not pop up when released, stop and immediately call your service technician or gas supplier.
  - If the pilot will not stay lit after several tries, turn the gas control knob to **“OFF”** and call your service technician or gas supplier.
5. Turn control knob counterclockwise  to **“ON”** position.  
-Set thermostat (flame control) to desired setting. Turn clockwise  for **“LOW”** and counterclockwise  for **“HIGH”**.
6. Close the access panel door.
7. Turn on all electric power to the appliance.

## FLAME CHECK

A periodic check of the flames should be made. The pilot flame should always be present when the unit is in operation.

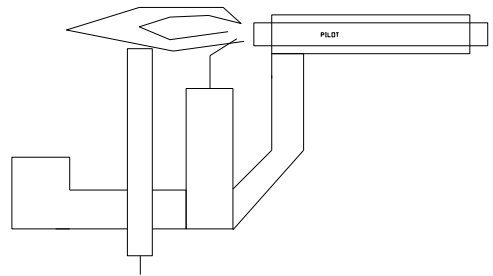
**FLAME:** Propane (LP) should produce a flame that is 3" to 4" above rear log. This flame should be yellow.

Natural gas should produce a flame that is 3" to 4" above rear log. This flame should be mostly blue except for the top 1/2" which should be yellow.



BURNER

NATURAL PILOT



PROPANE PILOT

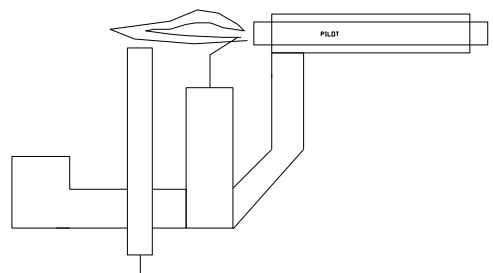


Figure 14

**WARNING: CHILDREN AND ADULTS SHOULD BE ALERTED TO THE HAZARDS OF HIGH SURFACE TEMPERATURES AND SHOULD STAY AWAY TO AVOID BURNS OR CLOTHING IGNITION. YOUNG CHILDREN SHOULD BE CAREFULLY SUPERVISED WHEN IN THE SAME ROOM AS GAS LOGS.**

**WARNING: CLOTHING OR OTHER FLAMMABLE MATERIAL SHOULD NOT BE PLACED ON OR NEAR THESE GAS LOGS.**

## WIRING DIAGRAM

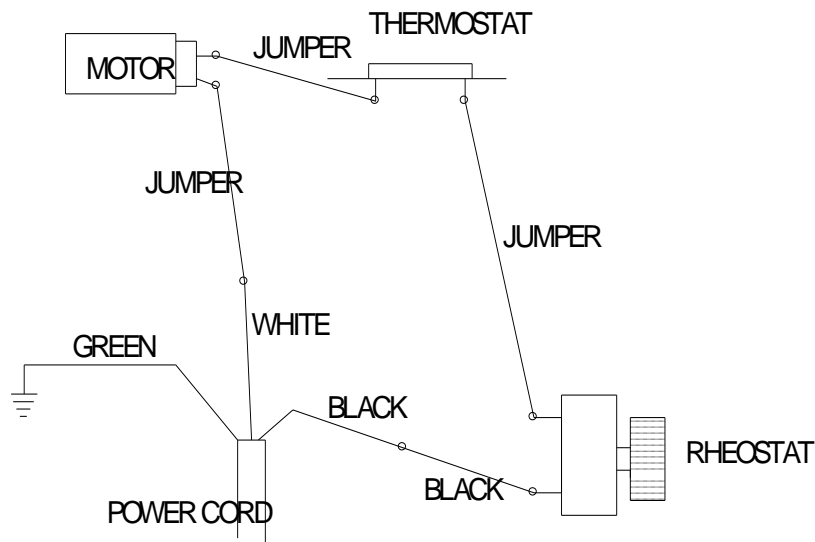


Figure 15

**NOTE:** If any of the original wire as supplied with the gas appliance must be replaced, it must be replaced with type 16ga., 105° C. rating wire or its equivalent.

**NOTE:** The blower assembly is standard for this appliance, and is installed by the manufacturer. Installation and repair should be done by a qualified service person. This heater should be inspected before use and at least annually by a qualified service technician. More frequent cleaning may be required due to excessive lint from carpeting, bedding material, etc. It is imperative that control compartments and circulating air passageways of the heater be kept clean.

**CAUTION:** Label all wires prior to disconnection when servicing controls. Wiring errors can cause improper and dangerous operation.

Verify proper operation after servicing.

**WARNING: ELECTRICAL GROUNDING INSTRUCTION: THIS HEATER IS EQUIPPED WITH A THREE-PRONG PLUG FOR YOUR PROTECTION AGAINST SHOCK HAZARD AND SHOULD BE PLUGGED DIRECTLY INTO A PROPERLY GROUNDED THREE-PRONG RECEPTACLE.**

**NOTE:** #PESBRO84 Blower Model FP-327-ZC.  
Rating: 120 volts/60HZ/0.54 Amps.

**NOTE:** For convenience, allow licensed electrician to install properly grounded 3-plug receptacle near unit.



## IMPORTANT SAFEGUARDS

Although your gas logs are very realistic in appearance, it is not a real burning fireplace and must not be used for burning rejected material.

To avoid irreparable damage to the heater or personal injury, matches, paper, garbage, or any other material must not be placed or thrown on top of the logs or into the flames.

To avoid personal injury, do not touch hot surfaces when the heater is operating.

Close supervision is necessary when the heater is being operated near children.

### WARNING:

**THIS HEATER IS INTENDED FOR USE AS A GAS HEATER FIREPLACE AS DESCRIBED IN THESE INSTRUCTIONS. IT SHOULD NOT BE USED FOR ANY OTHER PURPOSE.**

## CLEANING

**CAUTION: BEFORE CLEANING OR MOVING THESE LOGS OR OTHER PARTS OF THE HEATER, BE SURE TO READ THE ABOVE SECTIONS ON IMPORTANT SAFEGUARDS.**

All cleaning should be carried out when the heater is cold. Limited cleaning is required with normal use. Dusting the front of the base, the top of the piezo cover, or the control knob panel may be required occasionally. Do not use cleaning fluids to clean the logs or any other part of the heater.

If the flames show unusual shapes or behavior, or if burner fails to ignite properly, the burner holes may require cleaning. If this occurs, contact your nearest dealer to service the heater.

The heater can be cleaned by removing the top, front, and rear logs. Handle each log gently, as not to damage the logs. Lift each log by holding it carefully at each end. Use a vacuum cleaner to remove dust and loose particles from the base, logs and around the burner and ODS/Pilot.

## TROUBLE SHOOTING

### WARNING

**TURN OFF, UNPLUG HEATER AND LET COOL BEFORE SERVICING. ONLY A QUALIFIED SERVICE PERSON SHOULD SERVICE AND REPAIR HEATER.**

### CAUTION

**NEVER USE A WIRE, NEEDLE, OR SIMILAR OBJECT TO CLEAN ODS/PILOT. THIS CAN DAMAGE ODS/PILOT.**

OBSERVED PROBLEM	POSSIBLE CAUSE	SOLUTION
Igniter button is pressed, no spark at ODS/Pilot	<ol style="list-style-type: none"> <li>1. Igniter electrode positioned incorrectly</li> <li>2. Igniter electrode broken</li> <li>3. Igniter electrode not connected to igniter cable</li> <li>4. Igniter cable pinched or wet</li>   <li>5. Piezo igniter nut is loose</li>   <li>6. Broken igniter cable</li> <li>7. Bad piezo igniter</li> </ol>	<ol style="list-style-type: none"> <li>1. Replace igniter</li> <li>2. Replace igniter</li> <li>3. Reconnect igniter cable</li> <li>4. Free igniter cable if pinched by any metal or tubing. Keep igniter cable dry.</li> <li>5. Tighten nut holding piezo igniter to heater cabinet. Nut is located inside heater cabinet at top.</li> <li>6. Replace igniter cable</li> <li>7. Replace piezo igniter</li> </ol>

OBSERVED PROBLEM	POSSIBLE CAUSE	SOLUTION
Igniter button is pressed Spark at ODS/Pilot No Ignition	<ol style="list-style-type: none"> <li>1. Gas supply turned off or manual shutoff valve is closed</li> <li>2. Control knob not in "PILOT" position</li> <li>3. Control knob not pressed in while in "PILOT" position</li> </ol>	<ol style="list-style-type: none"> <li>1. Turn on gas supply or open manual shutoff valve</li> <li>2. Turn control knob to "PILOT" position</li> <li>3. Press in control knob while in "PILOT" position.</li> </ol>

- |   |  |
|---|--|
| 4. Air in gas lines when installed      | 4. Continue to hold down control knob. Repeat igniting operation until air is removed. |
| 5. Depleted gas supply                  | 5. Contact local propane gas company   |
| 6. ODS/Pilot is clogged                 | 6. Clean ODS/Pilot or replace ODS/Pilot assembly                                       |
| 7. Gas regulator setting is not correct | 7. Replace gas regulator   |

**OBSERVED  
PROBLEM**

**POSSIBLE  
PROBLEM**

**SOLUTION**

ODS/PILOT lights but flame goes out when control knob is released

- |   |   |
|---|---|
| 1. Control knob is not fully pressed in   | 1. Press control knob completely  |
| 2. Control knob not pressed in long enough  | 2. After ODS/Pilot lights keep control knob pressed 30 seconds  |
| 3. Safety interlock system has been triggered (if equipped)   | 3. Wait 1 minute for safety interlock system to reset.  |
| 4. Manual shutoff valve not fully open  | 4. Fully open manual shutoff valve.   |
| 5. Thermo-couple connection loose at control valve.   | 5. Hand tighten until snug, then tighten 1/4 turn   |
| 6. Pilot flame not touching thermo-couple, which allows thermo-couple to cool, causing pilot flame to go out. This problem can be caused by one or both of the following:<br>A) Low gas pressure<br>B) Dirty or partially clogged ODS/Pilot | 6. A) Contact local propane gas company<br>B) Clean ODS/Pilot (See Cleaning and Maintenance), or replace ODS/Pilot assembly |
| 7. Control valve damaged  | 7. Replace valve control  |

# WARNING

**IF YOU SMELL GAS:**

- \* **SHUT OFF GAS SUPPLY**
- \* **DO NOT TRY TO LIGHT APPLIANCE**
- \* **DO NOT TOUCH ANY ELECTRICAL SWITCH; DO NOT USE ANY PHONE IN YOUR BUILDING**
- \* **IMMEDIATELY CALL YOUR GAS SUPPLIER FROM A NEIGHBOR'S PHONE. FOLLOW THE GAS SUPPLIER'S INSTRUCTIONS.**
- \* **IF YOU CANNOT REACH YOUR GAS SUPPLIER, CALL THE FIRE DEPARTMENT.**

**IMPORTANT:** Operating heater where impurities in the air exist may create odors. Cleaning supplies, paint, paint remover, cigarette smoke, cements and glues, new carpet or textiles, etc. create fumes. These fumes may mix with combustion air and create odor.

OBSERVED PROBLEM	POSSIBLE CAUSE	SOLUTION
Heater produces a clinking/ticking noise just after burner is lit or shut off	1. Metal expands while heating or contracts while cooling.	1. This is common with most heaters. If noise is excessive, contact a qualified service person.
Heater produces unwanted odors	1. Heater burning vapors from paint, hairspray, glues, etc. (See <b>Important</b> above) 2. Low fuel supply 3. Gas leak (See <b>WARNING</b> above)	1. Ventilate room. Stop using odor causing products while heater is running. 2. Refill supply tank 3. Locate and control all leaks. See Checking Gas Connections.
Heater shuts off in use (ODS operates)	1. Not enough fresh air is available 2. Low line pressure 3. ODS/Pilot is partially clogged	1. Open window/door for ventilation 2. Contact local propane company 3. Clean ODS/Pilot
Gas odor even when control knob is in "OFF" position	1. Gas leak (See <b>WARNING</b> , above). 2. Control valve defect	1. Locate and correct all leaks (see Checking Gas Connections) 2. Replace control valve
Gas odor during combustion	1. Foreign matter between control valve and burner 2. Gas leak (See <b>WARNING</b> above)	1. Remove foreign matter from gas tubing 2. Locate and correct all leaks (see Checking Gas Connections)

OBSERVED PROBLEM	POSSIBLE CAUSE	SOLUTION
Burner does not light after ODS/ Pilot is lit	<ol style="list-style-type: none"> <li>1. Burner orifice is clogged</li> <li>2. Inlet gas pressure is too low</li> </ol>	<ol style="list-style-type: none"> <li>1. Clean burner (see Cleaning and Maintenance) or replace burner orifice</li> <li>2. Contact local propane gas company</li> </ol>
Delayed ignition of burner	<ol style="list-style-type: none"> <li>1. Manifold pressure is too low</li> <li>2. Burner orifice is clogged</li> </ol>	<ol style="list-style-type: none"> <li>1. Contact local propane gas company</li> <li>2. Clean burner (see Cleaning and Maintenance) or replace burner orifice</li> </ol>
Burner backfiring during combustion	<ol style="list-style-type: none"> <li>1. Burner orifice is clogged or damaged</li> <li>2. Burner damaged</li> <li>3. Gas regulator defective</li> </ol>	<ol style="list-style-type: none"> <li>1. Clean burner (see Cleaning and Maintenance) or replace burner orifice</li> <li>2. Replace burner</li> <li>3. Replace gas regulator</li> </ol>
Slight smoke or odor during initial operation	<ol style="list-style-type: none"> <li>1. Residues from manufacturing process</li> </ol>	<ol style="list-style-type: none"> <li>1. Problem will stop after a few hours of operation</li> </ol>
Heater produces a whistling noise when burner is lit	<ol style="list-style-type: none"> <li>1. Turning control knob to “HI” position when burner is cold (if equipped with this type of valve)</li> <li>2. Air in gas line</li> <li>3. Air passageways on heater blocked</li> <li>4. Dirty or partially clogged burner orifice</li> </ol>	<ol style="list-style-type: none"> <li>1. Turn control knob to “LOW” position and allow to warm</li> <li>2. Operate burner until air is removed from line. Call local propane company to check gas line.</li> <li>3. Observe minimum installation clearances</li> <li>4. Clean burner or replace orifice</li> </ol>

## **SERVICING**

Repair and replacement work should only be performed by a qualified service technician.

Always shut off the gas supply and make sure heater is cool before beginning any service operation. Check for gas leaks after servicing.



## **REPAIR PARTS**



A parts list with exploded view follows. Always include correct name, part number, and model number of the heater when ordering service parts. Please contact your local dealer or distributor when ordering. If one is not available, you may contact:

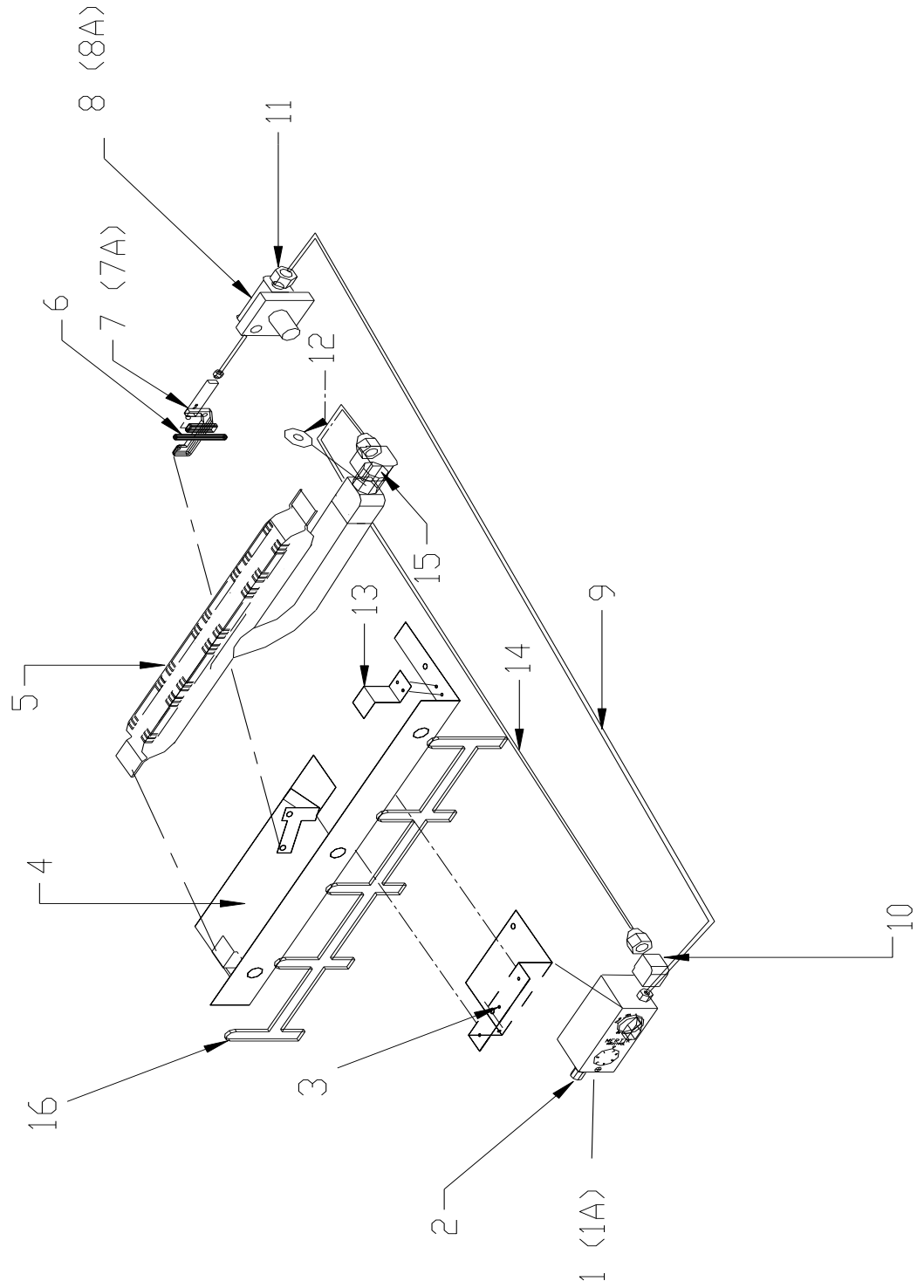
New Buck Corporation  
8000 Highway 226 South  
Spruce Pine, NC 28777  
Phone: 828-765-6144

# PARTS LIST

## Maxitrol Valve

KEY #	PART #	DESCRIPTION	QUANTITY
1	GV 30B5A2L7B	Maxitrol LP Valve	1
1A	GV 30B5A2N7B	Maxitrol Nat. Valve	1
2	PE 4966	3/8" - 3/8" Elbow	1
3	PS 112736	Maxitrol Regulator Holder	1
4	PS 112716	M1127 Inner Bottom	1
5	PO TBURN	Single Burner	1
6	PE TPT100/433	Thermo-couple/ (Copreci)	1
7	PE 2150053	Copreci ODS Nat. Pilot	1
7A	PE 2150054	Copreci ODS LP Pilot	1
8	PE RV12LF30	Maxitrol Regulator-Nat.	1
8A	PE RV12LF90	Maxitrol Regulator-LP	1
9	RF 14ALMTUB	1/4" Aluminum Tubing	1
10	PH 1166	3/8" Street Elbow	1
11	PE 6482	1/4" -1/8" Compression Adapter	2
12	PO Orifice	Orifice Nat. or LP	1
13	PS 112726	M1127 Burner Supports	2
14	PO 38634ALMTUB	3/8" x 6 - 3/4" Burner Tube	1
15	PO 54ORFHLD	Angled Orifice Holder	1

# BLOWN UP VIEW OF BURNER ASSEMBLY



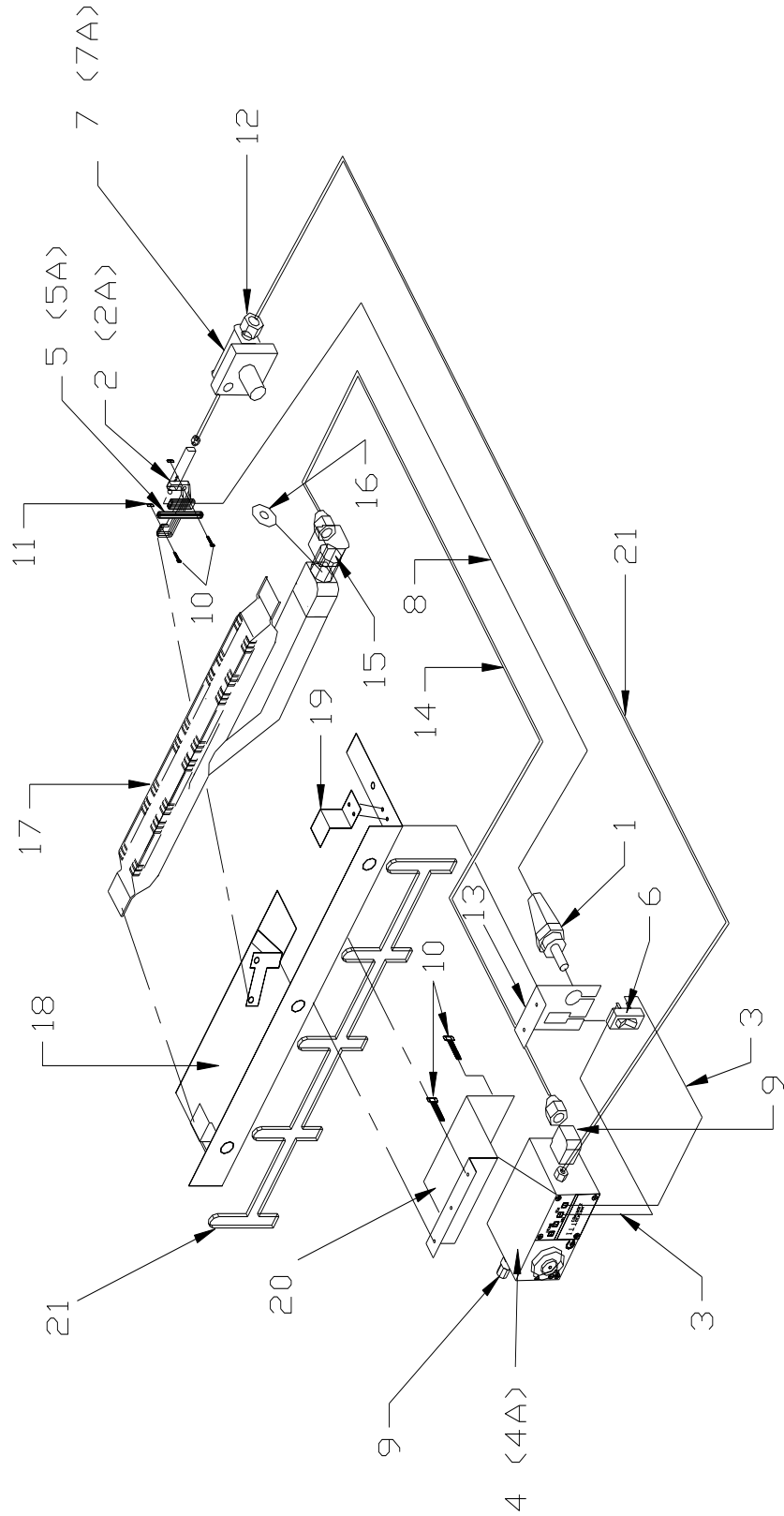


## PARTS LIST

### ITT Valve

KEY #	PART #	DESCRIPTION	QUANTITY
1	PE 124461	Piezo Igniter w/Nut	1
2	PE 2150053	Copreci ODS Nat. Pilot	1
2A	PE 2150054	Copreci ODS LP Pilot	1
3	PE 65JUMPER	6" Jumper Wires #16 AWG Solid	2
4	PE B67SA233	ITT LP Valve	1
4A	PE B67RA234	ITT NAT. Valve	1
5	PE G251F24S	ITT Generator (ITT Valve)	1
6	PE RA911RB	Carling Switch (On/Off)	1
7	PE RV12LF30	Maxitrol Regulator-Nat.	1
7A	PE RV12LF90	Maxitrol Regulator-LP	1
8	PE 124461	14" Igniter Wire	1
9	PE 4966	3/8" - 3/8" Elbow	1
10	PH 63212RPP	#6-32X 1/2" Round Head Screw	4
11	PH 632HNP	#6-32 Hex Nut	2
12	PE 6482	1/4" -1/8" Compression Adapter	2
13	PO 112772	M1127 Switch Holder	1
14	PO 38634ALMTUB	3/8" x 6 - 3/4" Burner Tube	1
15	PO 54ORFHLD	Angled Orifice Holder	1
16	PO Orifice	Orifice Nat. or LP	1
17	PO TBURN	Single Burner	1
18	PS 112716	M1127 Inner Bottom	1
19	PS 112726	M1127 Burner Supports	2
20	PS 112730	M1127 ITT Regulator Holder	1
21	RF 14ALMTUB	1/4" Aluminum Tubing	1

# BLOWN UP VIEW OF BURNER ASSEMBLY



# **NEW BUCK CORPORATION**

We reserve the right to amend these specifications at any time without notice. The only warranty applicable is our standard written warranty. We offer no other warranty, expressed or implied.

## **LIMITED WARRANTY**

### **MODEL FP-327-ZC**

New Buck warrants this product to be free from defects in materials and components for two (2) years from the date of first purchase, provided that the product has been properly installed, operated, and maintained in accordance with all applicable instructions. To make a claim under this warranty the Bill of Sale or canceled check must be presented.

This warranty is extended only to the original retail purchaser and covers the cost of parts required to restore the heater to proper condition. Warranty parts **MUST** be obtained through an authorized Buck Stove dealer and/or New Buck, who will provide original factory replacement parts. Failure to use original factory replacement parts voids this warranty. The heater must be installed by a qualified installer in accordance with all local codes and instructions furnished with the unit.

Warranty does not apply to parts that are not in original condition, normal wear and tear, or parts that fail or become damaged as a result of misuse, accidents, lack of proper maintenance or defects caused by improper installation.

#### **WARRANTY DOES NOT COVER:**

- Removal and re-installation cost
- Labor costs for replacements or repairs
- Transportation
- Cost of service call to diagnose trouble
- Painted surfaces
- Damage or defect caused by improper installation, accident, misuse, abuse, or alteration

**TO THE FULL EXTENT ALLOWED BY THE LAW OF THE JURISDICTION THAT GOVERNS THE SALE OF THE PRODUCT, THIS EXPRESS WARRANTY EXCLUDES ANY AND ALL OTHER EXPRESSED WARRANTIES AND LIMITS THE DURATION OF ANY AND ALL WARRANTIES, INCLUDING WARRANTIES OF MERCHANTABILITY AND FITNESS FOR A PARTICULAR PURPOSE TO ONE (1) YEAR FROM THE DATE OF FIRST PURCHASE. NEW BUCK LIABILITY IS HEREBY LIMITED TO THE PURCHASE PRICE OF THE PRODUCT AND NEW BUCK SHALL NOT BE LIABLE FOR ANY OTHER DAMAGES WHATSOEVER INCLUDING INCIDENTAL OR CONSEQUENTIAL DAMAGES.**

Some states do not allow a limitation on how long an implied warranty lasts or an exclusion or limitation of incidental or consequential damages, so the above limitation on implied warranties, or exclusion on damages may not apply to you.

This warranty gives you specific legal rights. Other rights may vary from state to state.

## OWNER REGISTRATION

The attached owner registration card must be completed in its entirety and mailed within 30 days from date of installation in order for warranty coverage to begin to:

New Buck Corporation  
P.O. Box 69  
Spruce Pine, NC 28777  
Email: info@buckstove.com

PLEASE NOTE: Owner Registration Card must contain Authorized Buck Stove Dealer Number and Certified Installer's number (if applicable) for warranty coverage to begin.

**NAME:** \_\_\_\_\_

**ADDRESS:** \_\_\_\_\_

**CITY:** \_\_\_\_\_

**STATE:** \_\_\_\_\_ **ZIP:** \_\_\_\_\_

**CUSTOMER EMAIL:** \_\_\_\_\_

**MODEL #:** FP-327ZC **SERIAL #:** \_\_\_\_\_

**DATE OF INSTALLATION:** \_\_\_\_\_

**INSTALLER'S NAME:** \_\_\_\_\_

**DEALER'S NAME:** \_\_\_\_\_

**DEALER'S ADDRESS:** \_\_\_\_\_