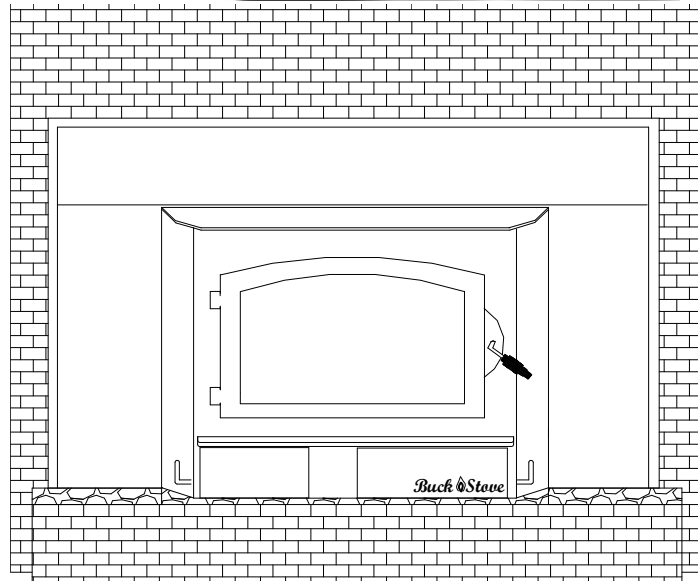


MODEL 85 NON-CATALYTIC UNIT



FIREPLACE INSERT & FREESTANDING

FEATURES

PREPARATIONS INSTALLATION
OPERATION MAINTENANCE SAFETY

SAFETY NOTICE

IF THIS HEATER IS NOT PROPERLY INSTALLED, A HOUSE FIRE MAY RESULT. FOR YOUR SAFETY, FOLLOW THE INSTALLATION INSTRUCTIONS. CONTACT THE AUTHORITY HAVING JURISDICTION (SUCH AS MUNICIPAL BUILDING DEPARTMENT, FIRE DEPARTMENT, FIRE PREVENTION BUREAU, etc.) CONSULT BEFORE INSTALLATION TO DETERMINE THE NEED TO OBTAIN A PERMIT. KEEP THESE INSTRUCTIONS FOR FUTURE USE.

TESTED AND LISTED BY:  ITS/WARNOCK HERSEY, MIDDLETON, WI

MANUFACTURED BY NEW BUCK CORPORATION
200 ETHAN ALLEN DRIVE
P.O. BOX 69
SPRUCE PINE, N.C. 28777
www.buckstove.com

Revised August 2010

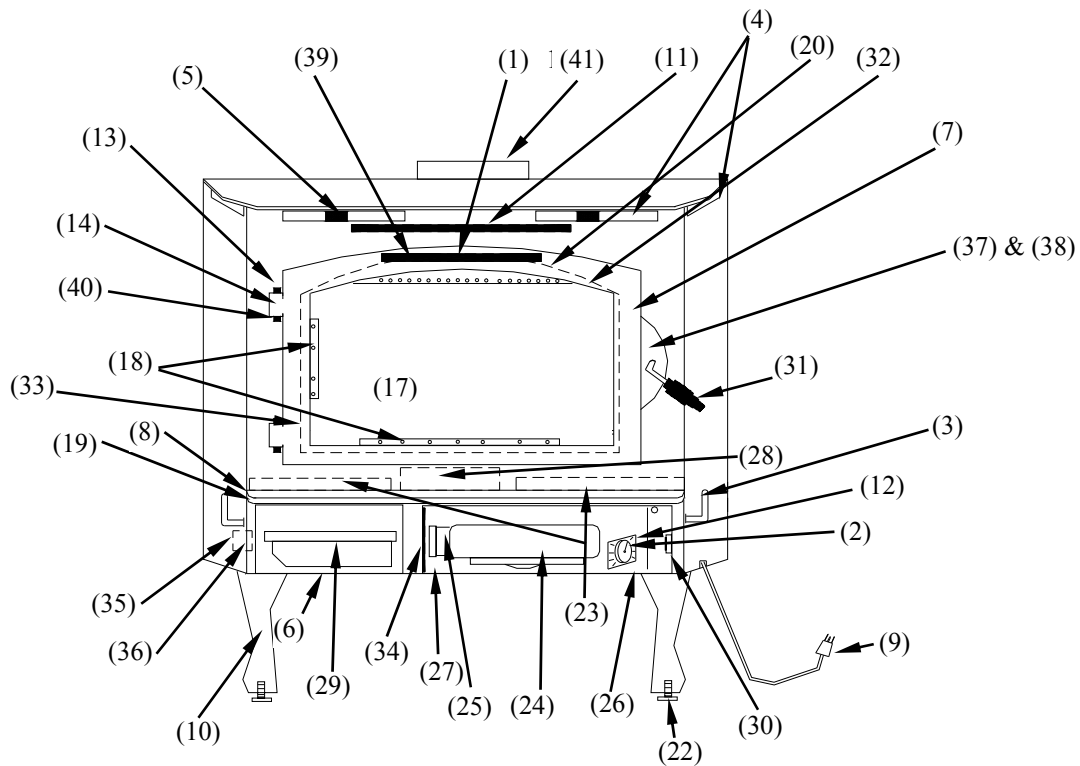
TABLE OF CONTENTS

Important Instructions	3
SECTION I: Introduction	4
SECTION II: Masonry Insert Installation.....	5
Installation Preparation-Fireplace	7
Mounting Trim Panels	8
SECTION III: Pre-Fab Insert Installation.....	12
SECTION IV: Residential Freestanding Installation.....	13
Freestanding Installation Clearances	21
Installation of Close Clearances Shields.....	23
SECTION V: Freestanding Mobile Home Installation.....	24
SECTION VI: Wood Heater Safety.....	29
SECTION VII: Operation	30
SECTION VIII: Room air blower operation	32
SECTION IX: Troubleshooting.....	33
Parts List	34
Warranty	35

EPA COMPLIANCE STATUS

The Model 85 heater meets the U.S. Environmental Protection Agency's Emission limits for wood heaters sold after July 1, 1992. Under specific conditions this heater has been shown to deliver heat at rates ranging from approximately 10,000 to 45,000 BTU/hr for the Model 85.

MODEL 85 WOOD STOVE



- | | | |
|--------------------------------|-------------------------|---------------------------------------|
| 1. Secondary air tubes | 16. NO PART | 30. Disc thermostat |
| 2. Blower control (rheostat) | 17. Door glass & logo | 31. Door handle & brass spring handle |
| 3. Primary air control | 18. Glass clips | 32. Air wash screen |
| 4. Warm air outlets | 19. Hearth Brass | 33. Glass gasket |
| 5. Baffles (interior of stove) | 20. Door Gasket | 34. Cover door hinge |
| 6. Air inlet | 21. Side glass | 35. Magnet holder |
| 7. Door | 22. Leveling screws | 36. Cover door Magnet |
| 8. Hearth extension | 23. Firebrick | 37. Door latch |
| 9. Power cord | 24. Motor | 38. Door latch screw |
| 10. Legs | 25. Motor mount bracket | 39. Blanket |
| 11. Stainless steel plate | 26. Cover Door | 40. Hinge pins |
| 12. Automatic/off/man. switch | 27. Cover door screws | 41. 6" Flue exit |
| 13. Brass cap | 28. Shot gun air box | |
| 14. Hinge Block | 29. Ash pan | |
| 15. NO PART | | |

INSTALLATION, OPERATION AND MAINTENANCE INSTRUCTIONS MODEL 85

READ THIS FIRST

IMPORTANT INSTRUCTIONS

WARNING

THESE UNITS GENERATE A LOT OF HEAT, SO TREAT THEM WITH CARE. **HOT WHILE IN OPERATION.** KEEP CHILDREN, CLOTHING AND FURNITURE AWAY. CONTACT MAY CAUSE SKIN BURNS. READ ALL INSTRUCTIONS BEFORE INSTALLING AND USING APPLIANCE. FAILURE TO FOLLOW INSTRUCTIONS MAY RESULT IN PROPERTY DAMAGE, BODILY INJURY OR EVEN DEATH. SAVE THESE INSTRUCTIONS FOR FUTURE REFERENCES.

- The New Buck Corporation non-catalytic system has been tested by Intertek Testing Services, Warnock Hersey to ANSI/UL Standards 1482.
- Install and operate your units according to instructions provided in this manual. Local building codes may apply; therefore, contact your local building inspector or fire marshal for necessary installation requirements and permits which may go beyond these instructions.
- **If appliance is installed in mobile homes: “DO NOT INSTALL IN SLEEPING ROOMS.”**
- **NOTE: When burning any unit or appliance that combusts fuel for heat, such as coal, oil, wood or natural and (L.P.) liquid petroleum gas. We highly recommend the use of smoke and carbon monoxide detectors in your home.**
- Examine masonry fireplace and chimney prior to installation of fireplace accessory to determine that construction meets minimum fireplace construction requirements illustrated in instructions, that it is free from cracks, loose mortar, creosote deposits and other blockage or other signs of deterioration.

CAUTION

DO NOT USE MORE THAN ONE STOVE TO A CHIMNEY. DO NOT USE A FLUE INTENDED FOR A GAS APPLIANCE. DO NOT CONNECT THIS UNIT TO A CHIMNEY FLUE SERVING ANOTHER APPLIANCE. DO NOT CONNECT TO ANY AIR DISTRIBUTION DUCT OR SYSTEM.

- A factory-built pre-fabricated chimney may be used for your units when installed in compliance with manufacturer's specification and uniform building code.

CAUTION

YOUR CHIMNEY MUST BE CORRECTLY SIZED. A CHIMNEY THAT IS TOO SMALL OR LARGE IN DIAMETER, OR TOO SHORT, CAN CAUSE YOUR STOVE TO SPILL SMOKE WHEN THE DOOR IS OPENED.

SECTION I

INTRODUCTION

Your Buck Stove MODEL 85 meets EPA Phase II 1990 for a non-catalytic unit. It's designed to meet most stringent emissions standards without use of a catalytic combustor. This effect is achieved through use of a secondary air which is mixed with primary air in unit's firebox.

For peak performance, we suggest the use of natural seasoned hard wood, loading wood length way from front to rear.

NOTE: Soft woods such as pine, create more creosote, clogging of chimney and produce a less efficient burn performance.

You should not burn trash or garbage, artificial or paper logs, gift wrapping, treated or painted wood or any type of coal or flammable fluids.

The primary air, which is controlled by user, burns the wood. Secondary air is admitted into firebox through secondary air tubes at top of firebox. This secondary air burns impurities in smoke released from initial wood burning. The temperature necessary for this combustion is maintained through firebrick refractory. If any more technical information is necessary, contact your local dealer.

Under specific test conditions this heater has been shown to deliver heat at rates ranging from approximately 11,800 to 45,00 BTU/HR.

This heater is equipped with a standard room air blower.

For operation and use of these electrical assemblies, see instructions provided in this manual on page 32.

SECTION II

MASONRY INSERT INSTALLATION

The Model 85 may be installed using an all masonry fireplace built in accordance with Uniform Building Code and National Fire Protection Association (NFPA). The first step in this type of installation is to determine acceptability of fireplace and chimney for use with a woodstove. Both construction and condition of fireplace are important considerations when installing a woodstove. The chimney should extend at least 3' above roof and at least 2' above any point of roof within 10'.

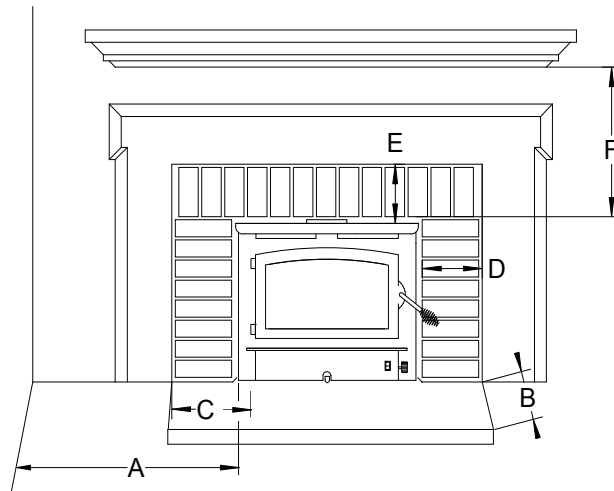
CAUTION

REMEMBER TO HAVE YOUR CHIMNEY INSPECTED FOR LEAKS AND BLOCKAGE **BEFORE** YOU INSTALL YOUR STOVE. "DO NOT CONNECT THIS UNIT TO A CHIMNEY FLUE SERVING ANOTHER APPLIANCE."

MINIMUM CLEARANCE MASONRY INSERT

MODEL 85

A. Side Wall Combustible	12"
B. Front Floor Protector	16"
C. Side Floor Protector	8"
D. Side Wood Trim	7"
E. Top Wood Trim	10"
F. Mantel or Brackets	21"



1. The hearth must be of masonry construction and must extend a minimum of 16" in front of firebox opening and a minimum of 8" to either side of firebox opening.
2. If there is not minimum hearth protection from front of firebox opening and front of masonry hearth, a floor protector must be used in front of hearth to protect combustible materials. The floor protector must be 3/8" minimum thickness non-combustible material or equivalent.(See Page 6.)

MINIMUM CLEARANCES

FLOOR PROTECTION

Floor protector must be 3/8" minimum thickness non-combustible material or equivalent.

How to use alternate materials and how to calculate equivalent thickness

An easy means of determining if a proposed alternate floor protector meets requirements listed in the appliance manual is to follow this procedure:

1. Convert specification to R-value:
R-value is given—no conversion is needed.
K-factor is given with a required thickness (T) in inches:
C-factor is given: $R=1/C$
2. Determine R-value of the proposed alternate floor protector.
Use the formula in step (1) to convert values not expressed as "R"
For multiple layers, add R-values of each layer to determine the overall R-value.
3. If overall R-value of the system is greater than the R-value of the specified floor protector, the alternate is acceptable.

Example:

The specified floor protector should be 3/4" thick material with a K-factor of 0.84.
The proposed alternate is 4" brick with a C-factor of 1.25 over 1/8" mineral board with a K-factor of 0.29.

Step (a): Use formula above to convert specification to R-value. $R= 1/K \times T = 1/0.84 \times .75 = 0.893$

Step (b): Calculate R of proposed system. 4" brick of $C=1.25$, therefore $R_{brick} = 1/C = 1/1.25 = 0.80$ 1/8" mineral board of $K = 0.29$, therefore $R_{min.bd.} = 1/0.29 \times 0.125 = 0.431$

Step (c): Compare proposed system R of 1.231 to specified R of 0.893. Since proposed system R is greater than required, the system is acceptable.

Definitions:

$$\text{Thermal conductance} = C = \frac{\text{Btu}}{(\text{hr})(\text{ft}^2)(\text{°F})} = \frac{W}{(\text{m}^2)(\text{°K})}$$

$$\text{Thermal conductance} = K = \frac{(\text{Btu})(\text{inch})}{(\text{hr})(\text{ft}^2)(\text{°f})} = \frac{W}{(\text{m})(\text{°K})} = \frac{(\text{Btu})}{(\text{hr})(\text{ft})(\text{°F})}$$

$$\text{Thermal conductance} = R = \frac{(\text{ft}^2)(\text{hr})(\text{°F})}{\text{Btu}} = \frac{(\text{m}^2)(\text{°K})}{W}$$

Install in accordance with 24 CFR, Part 3280 (HUD).

POSSIBLE TOOLS NEEDED FOR INSTALLATION

If you decide to install your own stove, there are several hand tools you may need to do job. If you do not already have them, they are readily available at most hardware stores.

Caulking gun

Large adjustable wrench (may not be needed)

Drop cloths or newspapers

Vacuum cleaner or whisk broom

Flashlight

1 tube of RTV silicone, Code 103 or 106, or high temperature rubber cement rated between 450° F- 600° F

7/32" drill bit and drill

Socket/Ratchet Set

INSTALLATION PREPARATION

Fireplace:

1. Locate furniture and other materials away from front of fireplace to allow free access to fireplace.
2. Cover hearth and adjacent floor areas with a drop cloths to protect from soiling or marring surface.
3. Remove existing fireplace damper plate.
4. Thoroughly clean fireplace of ashes and soot.
5. Check chimney and smoke chamber for excessive buildup of creosote or soot. Also, check for obstructions, such as bird's nests. If chimney is excessively dirty, clean it, or have someone clean it professionally BEFORE installing or using room heater.
6. If fireplace has an ash dump or outside air provision, these must be sealed off with metal or tightly packed non-combustible insulation to prevent cold air from entering fireplace chamber.

MASONRY INSERT INSTALLATION INSTALLATION OPTIONS

This unit (appliance) may be installed into an all masonry fireplace, built in accordance with Uniform Building Code and National Fire Protection Association (*NFPA 211*).

NOTE: *Check with local building officials for any permits required for installation of this unit and notify your insurance company before proceeding with installation*

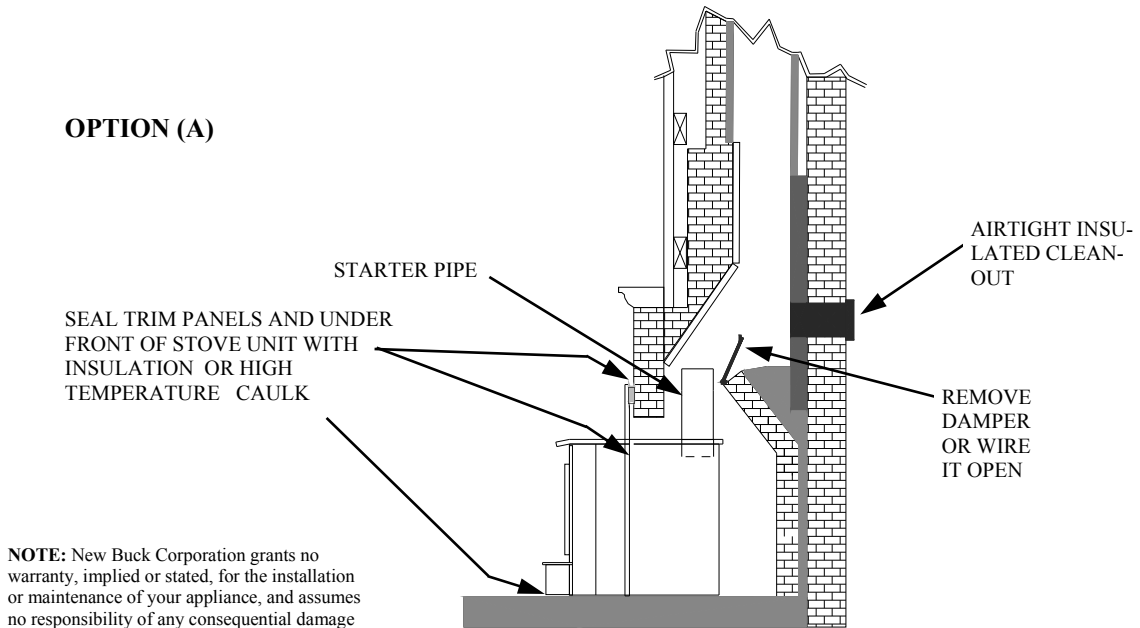
In some cases such as improperly drawing fireplaces , oversize flue liners or to meet codes in certain areas it is recommended that one of the flowing procedures be followed:

- A. A **Chimney Connector** be installed from appliance flue exit through damper and an air-tight face seal. See option (A) page 8.
- B. A listed **Direct Connect** be installed from appliance flue exit through damper into first section of flue liner with air-tight seal. See option (B) page 8.
- C. A **Positive Connect** be installed from appliance flue exit continuing up through entire chimney and exiting at top of chimney. See option (C) page 8.

! SAFETY NOTICE

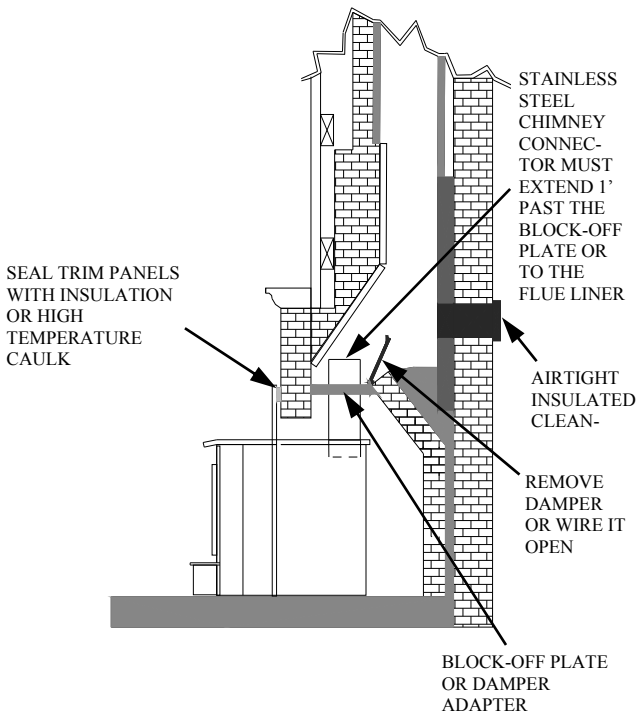
If this appliance is not properly installed, a house fire may result. For your safety, follow the installation directions. Contact local building or fire officials about restrictions and installation inspection requirements in your area.

OPTION (A)



OPTION (B)

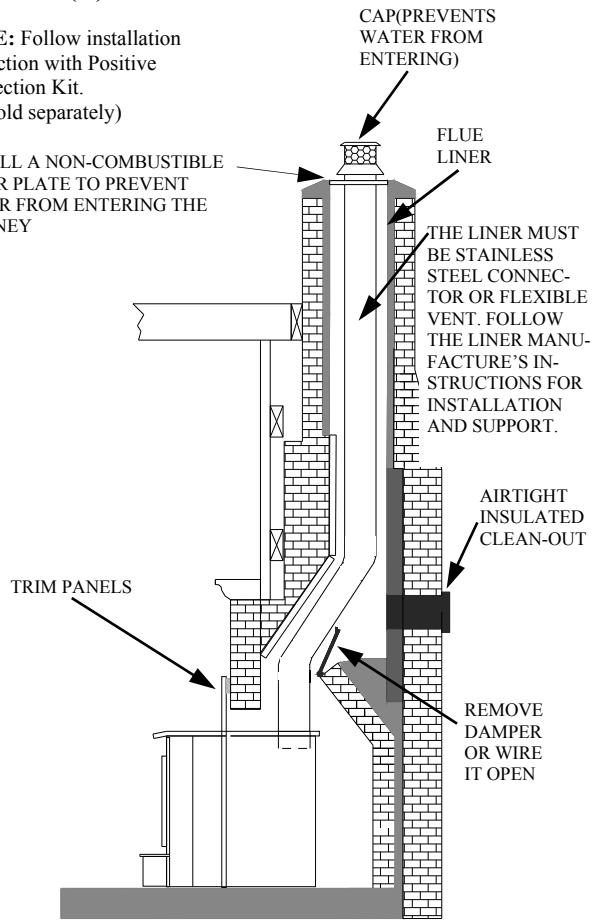
NOTE: Follow installation instruction with Direct Connection Kit. (Kit sold separately)



OPTION (C)

NOTE: Follow installation instruction with Positive Connection Kit. (Kit sold separately)

INSTALL A NON-COMBUSTIBLE COVER PLATE TO PREVENT WATER FROM ENTERING THE CHIMNEY



INSTALLATION PROCEDURE

(Use a chimney connector or a Listed Direct or Positive Connect) (See Page 8).

POSITIONING HEATER

When positioning heater, following conditions **MUST** be met! (See Figure 2).

1. The front of damper opening must be positioned **BEHIND** rear edge of lintel to ensure proper draft. (See Figure 2).
2. Center heater in fireplace opening.

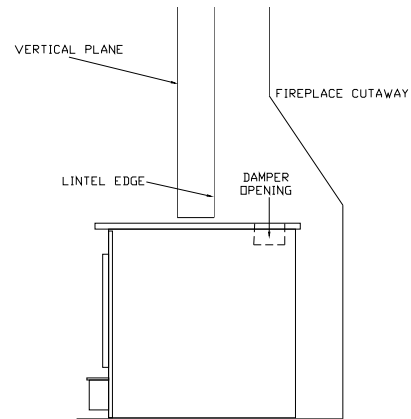


FIGURE 2 POSITIONING

MOUNTING TRIM PANELS

After unit is positioned, mark mounting position of trim panels as follows:

1. Place side trim panels in place, flat against face of fireplace. Mark down front edge of trim panel with a pencil to make a vertical reference line. (See Figure 3).
2. Place top (long) trim panel in place on top of unit. The panel should be flat against outside face of fireplace and standing vertically. Mark along lower edge of trim panel with a pencil to make a reference line for mounting.
3. Slide unit out of fireplace far enough to work behind trim panel reference lines.
4. Mount side trim panels. (See Figure 3).
 - a. Position trim panel on reference line.
 - b. Drill mounting holes in center of trim panel mounting brackets to allow for adjustment in and out if necessary.
 - c. Mount trim panel using self-tapping screws provided.
5. Place top panel back on reference mark. Take top trim panel mounting bracket supplied with unit. Position bracket so it overlaps rear lip of top trim panel. Drill mounting holes in top of stove using holes in bracket as guide. Tighten down screws.
6. Now, follow installation procedures in listed direct connect or positive connect kit you are using and install heater and connect kit in fireplace. If not using one of installation methods shown on (Page 8), continue.
7. Slide unit back into fireplace. Check to be sure that trim panels are properly positioned and lie flat against front of fireplace. If one or more of panels is out of position, slide unit out and reset by loosening mounting screws and repositioning in slot.
8. Reinstall top trim panel by sliding rear lip of top trim panel underneath front lip of mounting bracket already secured to top of unit.

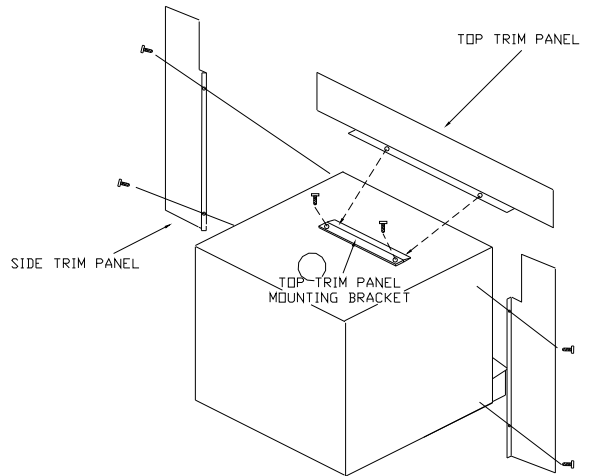


FIGURE 3 MOUNTING TRIM PANELS

NOTE: Mount top trim panel so that it sits in front of top of side trim panels.

9. Obtain brass trim kit provided with insert kit and slip over top and sides of trim panels. Top ends of brass may need to be trimmed to fit (See Figure 4).
10. Using insulation provided, peel and stick to back of panels overlapping fireplace dimensions by 1" on each side and top. (See Figure 4A).
11. Next using high heat silicone or furnace cement run heavy bead of caulking around where panels meet stove. (See Figure 4A).
12. Slide unit back into fireplace. Check to be sure that trim panels (and brass) are properly positioned and lie flat against front of fireplace. If panels are out of position, slide unit out and reset by loosening mounting screws and repositioning in slot. With bar lift stove up in front. Place insulation across front and surface of hearth or bottom of fireplace to make complete seal.
13. To check seal of panels, use candle flame and go around entire area sealed by silicone and insulation. If flame leans toward inside of fireplace, add additional insulation. This ensures an airtight seal.

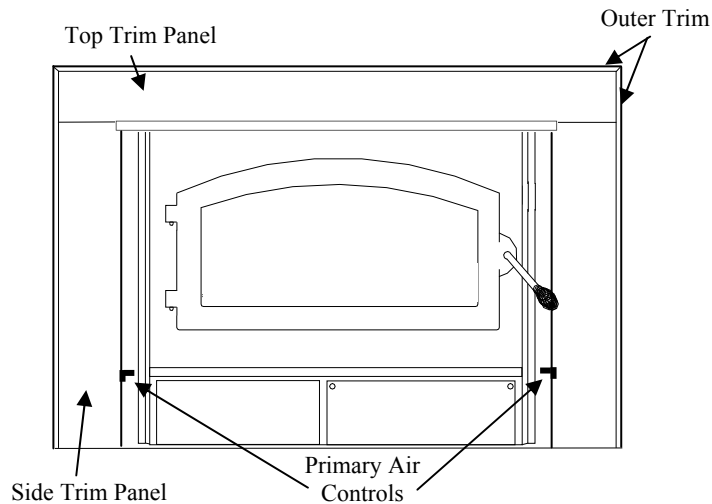


FIGURE 4

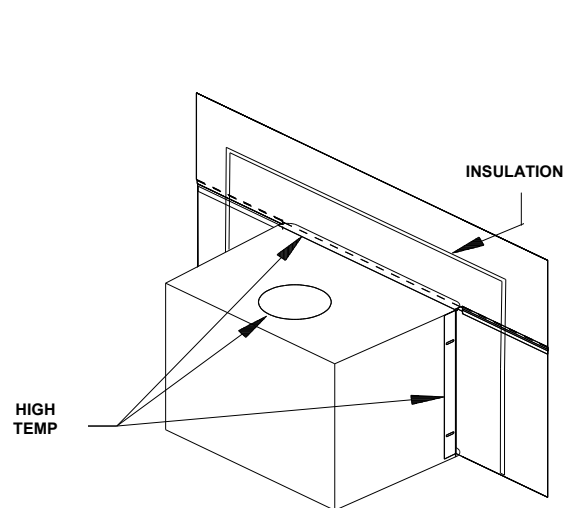


FIGURE 4A

FINAL CHECK

1. Recheck specified clearances.
2. Remove all foreign material from firebox area.
3. Open primary air control
Primary Air Control: The primary air intake draft controls are located at right and left bottom side of hearth. It is operated by moving handle **out** to open (to allow air into firebox) or **in** (to control or close off) air into firebox. (See Figure 4).
4. Plug power cord into a 115V AC outlet if optional motor is being used. "Do not run power cord under unit or in high traffic areas."
5. Place crumpled pieces of newspaper in stove. Light it and close door. Ensure that stove draws properly through primary draft.

NOTE: "Do not use grate or elevate fire. Build wood fire directly on inner bottom of fire box."

6. Check for smoke leaks around door.
7. Open door and check for smoke escaping from front of stove. Smoking usually indicates a defective or poorly positioned chimney. Some chimneys with a marginal draft can be preheated by lighting newspaper and holding it near open damper with a poker or fire tong. Once chimney heats up, a proper draft can usually be obtained.

If a thorough review of Troubleshooting Guide in rear of manual does not reveal problem, contact your dealer for assistance.

CAUTION

THE UNIT IS PAINTED WITH A SPECIALLY FORMULATED HIGH TEMPERATURE PAINT THAT CURES DURING FIRST TWO OR THREE FIRINGS. YOU MAY NOTICE A SLIGHT SMOKING EFFECT AND AN ODOR OF BURNING PAINT WHEN YOU BUILD FIRST FIRES. THIS IS NORMAL AND IS NOT A CAUSE FOR ALARM. IN SOME CASES, THESE FUMES WILL ACTIVATE A SMOKE ALARM. OPENING A WINDOW NEAR UNIT WILL ALLOW THESE FUMES TO ESCAPE. DO NOT BUILD A LARGE, ROARING FIRE UNTIL THIS CURING IS COMPLETE OR THE HEATER FINISH MAY BE DAMAGED.

The connector and/or chimney should be inspected at least once a month during heating season to determine if a creosote buildup has occurred.

CAUTION

NEVER USE GASOLINE, GASOLINE-TYPE LANTERN FUEL, KEROSENE, CHARCOAL LIGHTER FLUID OR SIMILAR LIQUIDS TO START OR "FRESHEN UP" A FIRE IN THE HEATER. KEEP ALL SUCH LIQUIDS WELL AWAY FROM STOVE WHEN IT IS IN USE. ALL FLUIDS OF THIS TYPE GIVE OFF VOLATILE FUMES AND CAN AND WILL EXPLODE!! DON'T TAKE A CHANCE WITH THE SAFETY OF YOUR HOME AND FAMILY.

SECTION III

PRE-FAB INSERT INSTALLATION

The Model 85 may be installed into any UL listed pre-fabricated fireplace that is large enough to accept it

NOTE: The ash lip, smoke baffle and smoke shelf may be removed if necessary to provide room for these models. Any other alteration to unit will void ALL New Buck Corporation responsibility and liability. The warning label below supplied with stove must be attached to back of the fire -place.

NOTE: Plug power cord into a 115V AC outlet. Set switch to “Manual” and rheostat to “High” position to ensure motor operates properly. Route cord to prevent damage to cord insulation from heat and sharp objects. Keep the cord out of way of traffic to prevent damage caused by tripping, etc.

NOTE: When installing the Model 85 into a Pre - Fab Zero - Clearance fireplace, a **UL-1777 LINER** must be installed Full Length of chimney and attached to flue exit of insert.

NOTE: DO NOT BLOCK ANY EXISTING LOUVERS OR VENTS ON EXISTING PRE-FAB WITH ANY TRIM PANELS FOR MODEL 85.

Except for “**NOTES**” above, please follow instruction of masonry installation, Section II.

Instruction

Minimum clearances for stove

Minimum clearances for floor protector

<p>WARNING: This fireplace must be restored to its original condition for safe use if fireplace insert is removed.</p>

SECTION IV

RESIDENTIAL FREESTANDING INSTALLATION

MINIMUM CLEARANCE TO COMBUSTIBLE MATERIAL

Select an installation location that will give best airflow from front of heater to remainder of home.

PREPARING STOVE FOR INSTALLATION

1. Inspect unit for any obvious physical damage.
2. Plug power cord into a 115V AC outlet to test fan and motor. Set switch to "Manual" and rheostat to "High" position to ensure motor operates properly. Route cord to prevent damage to cord insulation from heat and sharp objects. Keep cord out of way of traffic to prevent damage caused by tripping, etc.
3. Check primary air draft control to ensure that it slides freely.(See Figure 4).
4. Remove any items from within firebox. Spread a dropcloth on floor behind the heater. Next, tilt heater so that back is on drop cloth.
5. **(Leg Kit):** If legs are to be used, obtain four legs, attach legs to holes in bottom of unit with bolts and washers supplied with leg kit. (See Figure 4).
6. **(Pedestal Kit):** If pedestal kit is being used and **(out side air is required for residential free standing installation (see page 25 Out Side Air Installation))**. Open freestanding kit and obtain stand. Place stand against bottom of heater (angle side to heater).Center stand front to rear and also center stand left and right. Mark screw locations on bottom of stove through outer holes of stand mounting angles. Set stand aside and drill four 7/32" holes in heater bottom. Then mount stand to bottom of heater with screws provided. (See Figure 4A).
7. Obtain four (4) 3/16" self-tapping screws and secure stand to heater.
8. Reposition heater to upright position.

PRIMARY AIR
DRAFT CONTROL

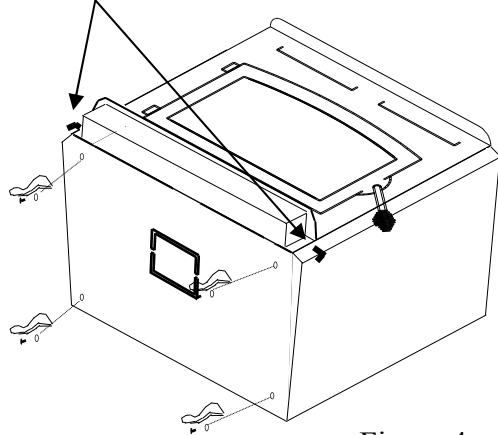


Figure 4

HOLES FOR MOUNTING PEDESTAL

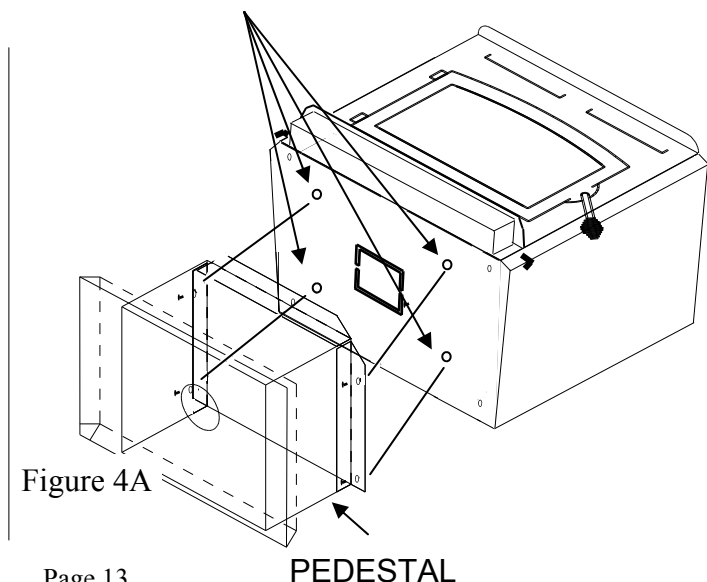


Figure 4A

ALTERNATE FLOOR PROTECTORS MATERIAL

Floor protector must be 3/8" minimum thickness non-combustible material or equivalent.

With the floor protector or hearth extension material specified as one layer of 2" thick brick with a K* factor of 5.0, you may use alternate materials as long as the K* factor (s) is calculated as follows:

FORMULA:

Required thickness = (K of alternate material/K of millboard) X (thickness of millboard)

EXAMPLE:

An alternate inorganic non-combustible millboard with a K* of .9375 would require a thickness as follows:

$$\begin{aligned} \text{Required thickness} &= (.9375/5.0) \times 2 \text{ in.} \\ &= 3/8 \text{ inch} \end{aligned}$$

K* FACTORS OF ALTERNATE MATERIALS

Material	K	Required Thickness
Ceroform 126	.21	1/8"
Limestone	8.0	3.2"
Concrete	8.0	3.2"
Sandstone	13.0	5.2"
Marble	18.0	7.2"

Hearth extension or floor protector thickness above four (4) inches are generally not acceptable due to cost, floor load capacity and look. The alternate we recommend is using Ceroform No. 126 millboard 1/8" minimum and putting any type decorative brick or stone (any thickness) on top of it.

* The K* factor represents thermal conductivity of a material and is time rate of heat flow through a homogeneous material under steady-state conditions, through unit area, per unit temperature gradient in the direction perpendicular to a surface.

Chimney

These models are designed for connection to:

- (1) Simpson Duravent - Dura Black
- (2) Metal Fab
- (3) Ameritec - BSR

NOTE: This Room Heater must be converted to (1) a chimney complying with requirements for Type HT chimneys in Standard for chimneys, Factory-Built, Residential, Type and Building Heating Appliance, UL 103 or (2) a code approved masonry chimney with a flue liner. The chimney size should not be less than nor more than 3 times greater than cross-sectional area of flue collar.

CAUTION

SPECIAL METHODS ARE REQUIRED WHEN PASSING THROUGH A WALL OR CEILING. SEE INSTRUCTIONS AND BUILDING CODES. "DO NOT CONNECT THIS UNIT TO A CHIMNEY FLUE SERVING ANOTHER APPLIANCE."

DETERMINING CHIMNEY LOCATION

A. Ceiling Exits: (Using 6" Single Wall Pipe and UL 103 HT type chimney system listed with manufacturer in this section of manual).

1. Suspend a plumb bob from ceiling above unit so that weight is hanging in center of flue exit. (A small weight on a string will serve as a plumb bob). Mark ceiling where string is suspended to locate the center of chimney.
2. After locating center of hole, install ceiling support box, chimney, flashing and rain cap per chimney manufacturer's instructions.
3. Now connect stove and ceiling support box using #24 ga. minimum blue or black steel connector pipe (**DO NOT USE GALVANIZED PIPE**). Connect each section so crimped end faces downward and secure each section to each other using at least three (3) sheet metal screws or rivets. Also use three (3) sheet metal screws to fasten pipe to collar on heater. (See Figure 5. Page 16).

4. Install Single Wall Connector and chimney system per manufacturer's written operating instructions. See manufacturer's list of tested pipes in this manual.

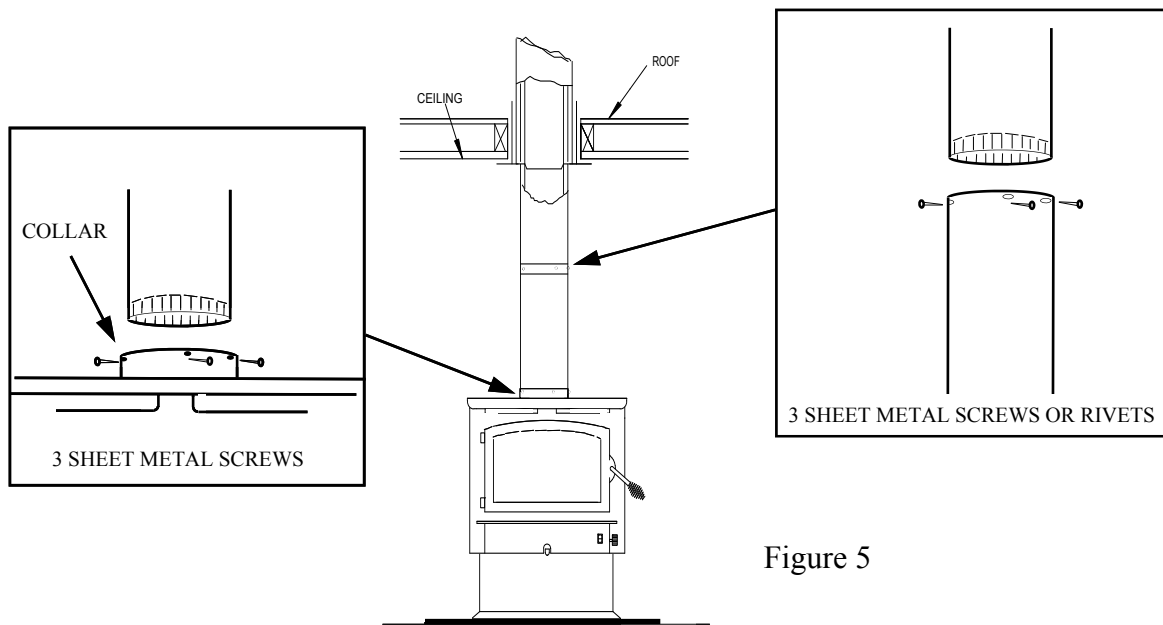


Figure 5

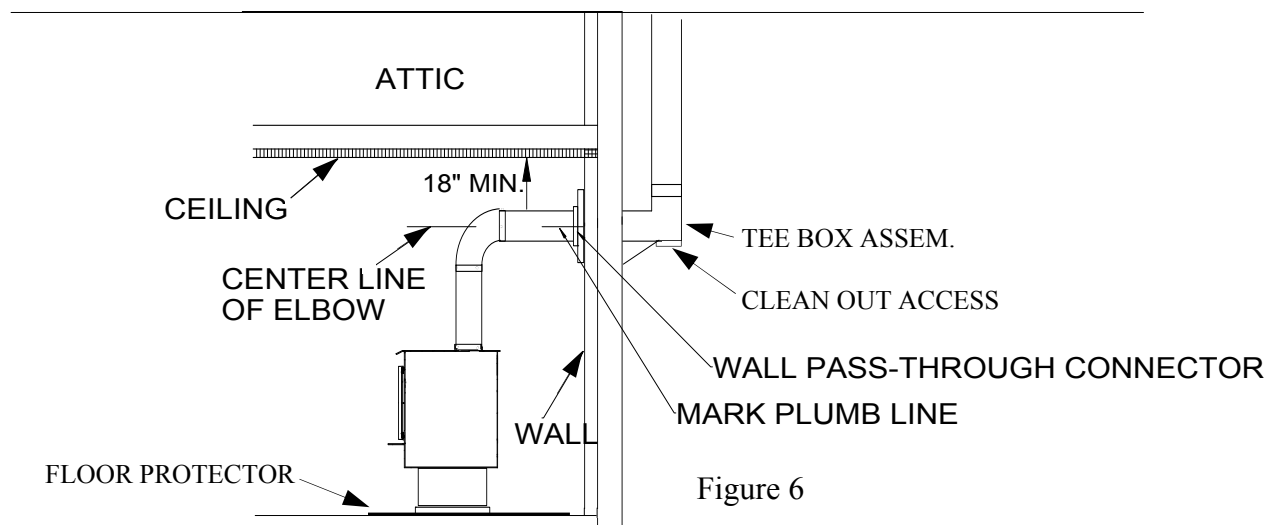


Figure 6

B. Wall Exit Into Metal Tee-Box

1. Mark plumb line on the wall directly behind center of heater. (See Figure 6).

NOTE: When using 24# ga. minimum blue or black steel pipe, maintain 18" between pipe and ceiling.

2. Place vertical portion of heater pipe and elbow in position and project a point onto plumb line level with center of elbow.
3. Measure up so there will be at least 1/4" rise per foot of horizontal connector pipe,

maintaining clearances to ceiling as noted in Figure 6. This will give you center of hole for chimney penetration.

4. After locating center of penetration, install tee box and chimney as per chimney manufacturer's specifications.
5. Connect chimney collar to tee-box using #24 ga. minimum blued or black steel connector pipe. **(DO NOT USE GALVANIZED PIPE)**. Connect each section so crimped end faces downward and secure each section to each other using three (3) sheet metal screws or rivets.

C. Wall Exit Into Masonry (Using Single Wall Pipe)

1. Before connecting these units to a masonry chimney, determine that masonry fireplace wall pass-through connector thimble meets **NFPA-211** Code and local building codes and is a minimum of 18" from ceiling. If connector thimble does not meet these codes, pass-through connector must be modified. (See Figure 7.)

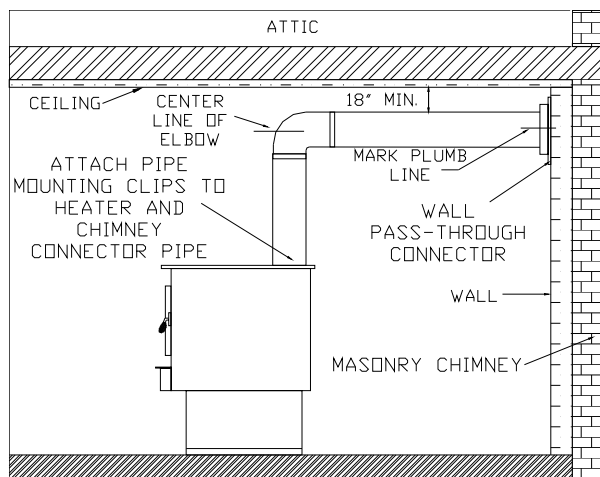


Figure 7

Connectors may pass through walls or partitions constructed of combustible material if connector is:

- (a) Either listed for wall pass-through or is routed through a device listed for wall pass-through and is installed in accordance with conditions of listing.
- (b) Selected or fabricated in accordance with conditions and clearances as stated in **NFPA-211** Code. Any unexposed metal that is used as part of a wall pass-through system and is exposed to flue gases shall be constructed of stainless steel or other equivalent material that will resist corrosion, softening, or cracking from flue gases at temperatures up to 1800° F.

NOTE: In addition, a connector to a masonry chimney shall extend through wall to inner face or liner but not beyond, and shall be firmly cemented to masonry.

EXCEPTION: A thimble may be used to facilitate removal of the chimney connector for cleaning, in which case the thimble shall be permanently cemented in place with high-temperature cement.

2. Once through-the-wall thimble codes are met, simply connect chimney collar to wall pass-through connector using #24 ga. minimum, blued or black steel connector pipe as follows:
 - (a) Maintain 1/4" rise per foot (horizontal length) from appliance to chimney.
 - (b) Connect each section so crimped end faces downward or back toward unit.
 - (c) Secure each section to each other using at least three (3) sheet metal screws or rivets.
 - (d) Use three (3) sheet metal screws to fasten pipe to connector collar on heater.

D. Ceiling Exit-Close Clearance

1. Suspend a plumb bob from ceiling above unit so that weight is hanging in center of flue exit. (A small weight on a string will serve as a plumb bob). Mark ceiling where string is suspended to locate center of chimney hole.
2. After locating center of hole, install ceiling support box, chimney flashing and rain cap.
3. Now connect stove and ceiling support box using #24 ga. minimum blued or black steel connector pipe. (**DO NOT USE GALVANIZED PIPE.**) Connect each section so crimped end faces downward, and secure each section to each other using at least three (3) sheet metal screws or rivets. Next, install an optional New Buck Corporation chimney connector to flue exit of the heater or you may use "EII" brackets to fasten the pipe to stove. (See Figure 8. Page 19).
4. Install Single Wall Connector and chimney system per manufacturer's written operating instructions. See manufacturer's list of tested pipes in this manual.

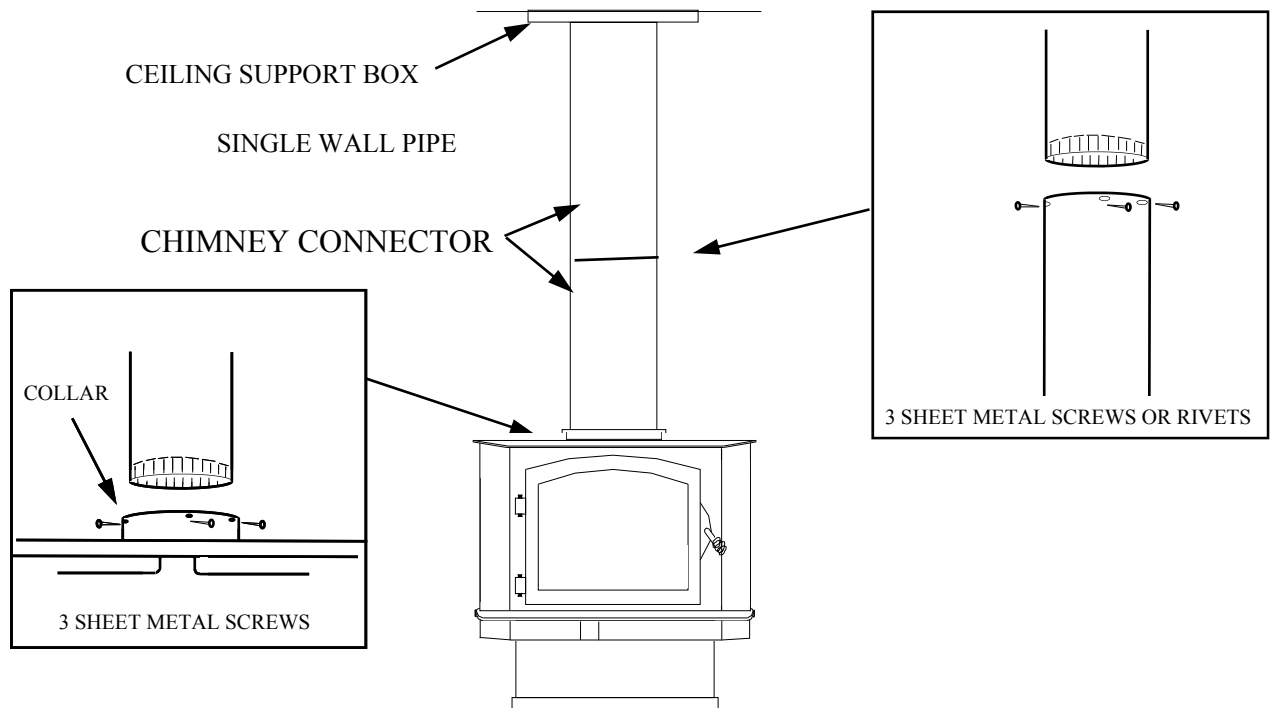


Figure 8

Close Clearance Installation using: **(1)** 6" Simpson Dura-Vent single wall chimney connector Dura Black and 6" Simpson Dura-Vent 2100 Deg Ht. "Type DP" chimney. **(2)** 6" Metal Fab Type single wall connector- 6" Metal Fab 2100 HT chimney. **(3)** Ameritec. For minimum clearances see pages 20 & 21.

ALCOVE INSTALLATION CLEARANCES

Must use 6" Single Wall Connector and 6" Type HT Pipe listed for close clearance reduction listed in this manual. For minimum clearances see pages 21 & 22. Must also use close clearance shield kit.

FINAL CHECK

1. Recheck specified clearances.
2. Remove all foreign material from firebox area.
3. Open primary air draft.

NOTE: Plug power cord into a 115V AC outlet. Set switch to “Manual” and rheostat to “High” position to ensure motor operates properly. Route cord to prevent damage to cord insulation from heat and sharp objects. Keep cord out of way of traffic to prevent damage caused by tripping, etc.

4. Place crumpled pieces of newspaper in stove. Light it and close doors. Ensure that stove draws properly through primary draft.
5. Check for smoke leaks around door.

CAUTION

Open door and check for smoke escaping from front of stove. Smoking usually indicates a defective or poorly positioned chimney. Some chimneys with a marginal draft can be pre-heated by lighting newspaper and holding it near open damper with a poker or fire tong. Once chimney heats up, a proper draft can usually be obtained.

If a thorough review of Troubleshooting Guide in rear of manual does not reveal problem, contact your dealer for assistance.

CAUTION

The unit is painted with a specially formulated high temperature paint that cures during first two or three firings. You may notice a slight smoking effect and an odor of burning paint when you build first fires. This is normal and is not a cause for alarm. In some cases, these fumes will activate a smoke alarm. Opening a window near unit will allow these fumes to escape. DO NOT build a large, roaring fire until this curing is complete or heater finish may be damaged.

CLEARANCES FOR MODEL 85 MINIMUM CLEARANCES TO COMBUSTIBLES FREESTANDING

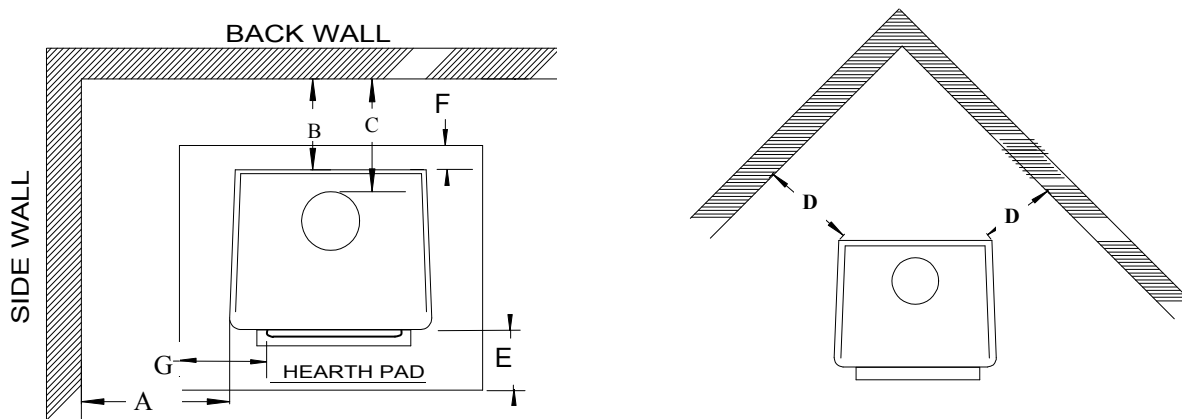


Figure 9

	A	B	C	D	E	F	G
MODEL 85	23"	23"	25"	16"	16"	8"	8"

NOTE: All clearances are to combustibles without low clearance shields and using single wall pipe and minimum floor protector. Clearances above may be reduced. Follow **NFPA-211** codes if available or follow instructions on next page.

* Floor Protector at rear needed for thru-the-wall exit only.

CLEARANCES FOR MODEL 85 MINIMUM CLEARANCES TO COMBUSTIBLES SINGLE WALL CHIMNEY CONNECTOR AND OPTIONAL SHIELDS, MOBILE HOME AND ALCOVE INSTALLATIONS

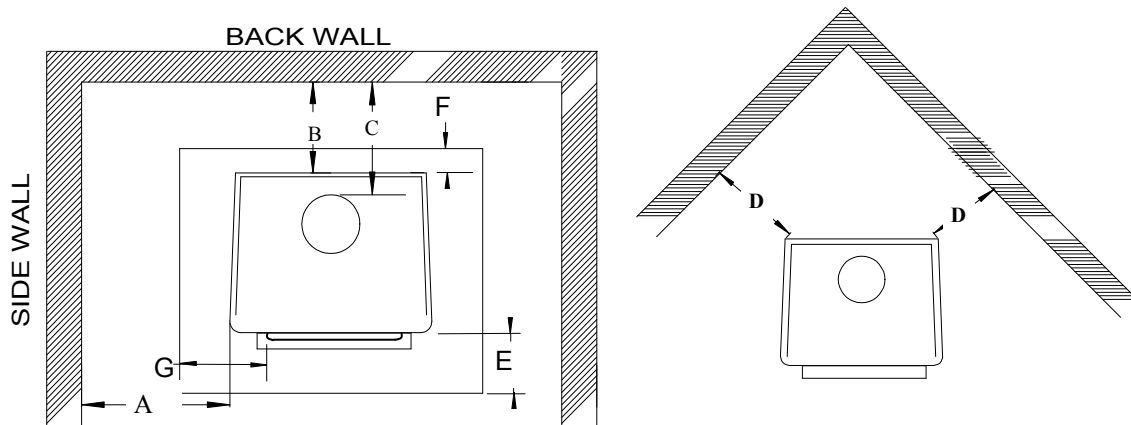


Figure 10

	A	B	C	D	E	F	G
MODEL 85	12"	16"	12.5"	12"	16"	8"	8"

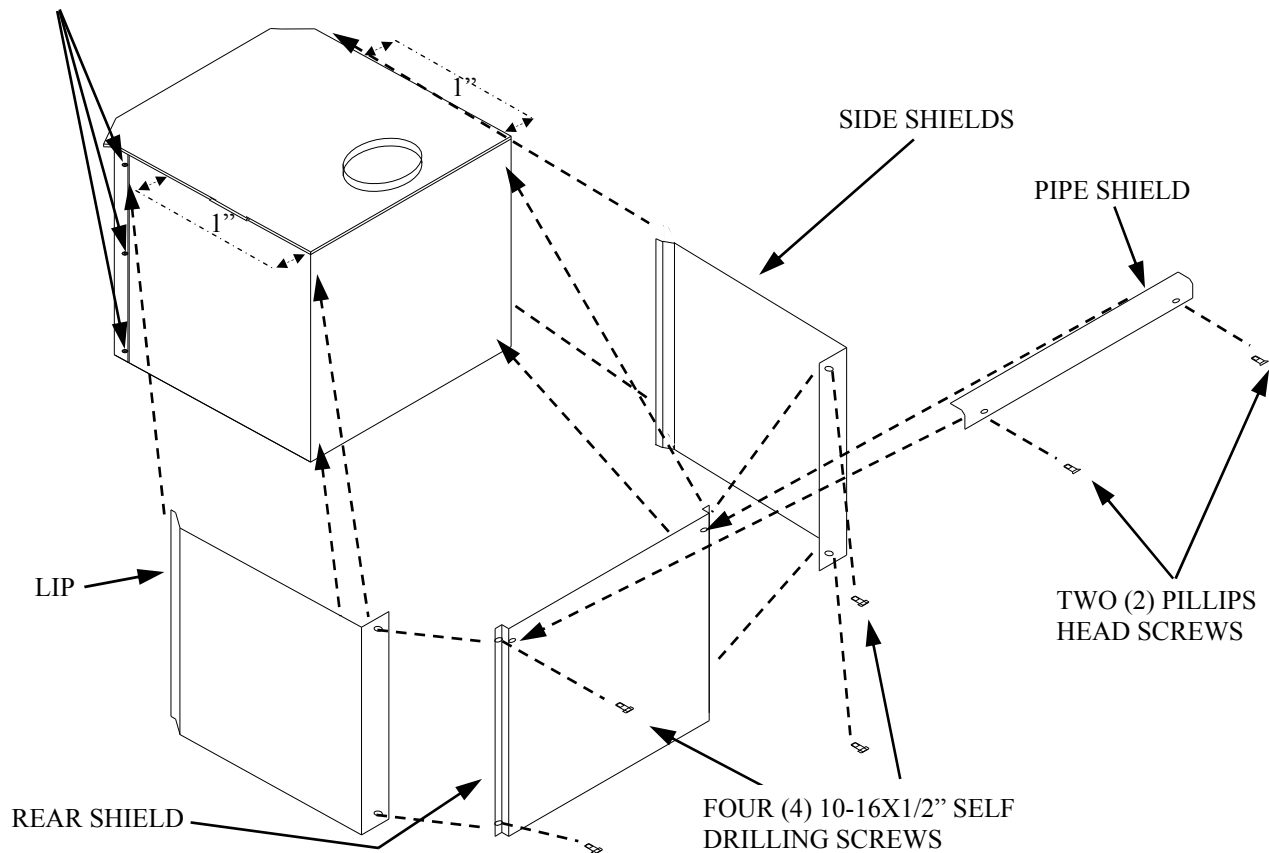
NOTE: All clearances are to combustibles using single wall pipe and all low clearance shields and minimum floor protector.

*Floor protector at rear needed for thru-the-wall exit only.

MODEL 85 INSTALLATION OF CLOSE CLEARANCE SHIELDS (Optional)

1. Loosen three (3) Philips head screws that secure front cover plates to front sides of stove.
2. Take rear close clearance shield and center with back and flushing with bottom of stove using self-tapping screws provided.
3. Remove self-tapping screws from rear of stove. Align holes in side shield with holes in rear shield and attach to stove. NOTE: Rear of side shields must go over lip of rear shield.
4. You must measure one inch (1") out from side of stove to inside of shield and maintain approximately one inch (1") clearance while securing shield to back of stove with 10-16x1/2" self tapping screws provided.
5. Before tightening screws, insert front end (Lip) of side shield under front cover plate on front side of stove. Use same step to install side shield on opposite side of stove.
6. Tighten all screws.
7. Place pipe shield on back of rear shield and align two (2) holes on parts and secure with Philips head screws provided.

THREE (3) PHIL-
LIPS HEAD
SCREWS
(FRONT COVER
PLATES)



NOTE: Use the figure above to install Close Clearance Shields.

SECTION V

FREE-STANDING MOBILE HOME INSTALLATION

FOR MINIMUM CLEARANCES SEE PAGE 21.

FLOOR PROTECTION

Floor protector must be 3/8" minimum thickness non-combustible material or equivalent. With the floor protector or hearth extension material specified as one layer of 2" thick brick with a K* factor of 5.0, you may use alternate materials as long as the K* factor (s) is calculated as follows:

FORMULA: Required thickness = (K of alternate material/K of millboard) X (thickness of millboard)

EXAMPLE: An alternate inorganic non-combustible millboard with a K* of .9375 would require a thickness as follows:

$$\begin{aligned} \text{Required thickness} &= (.9375/5.0) \times 2 \text{ in.} \\ &= 3/8 \text{ inch} \end{aligned}$$

K* FACTORS OF ALTERNATE MATERIALS

Material	K	Required Thickness
Ceroform 126	.21	1/8"
Limestone	8.0	3.2"
Concrete	8.0	3.2"
Sandstone	13.0	5.2"
Marble	18.0	7.2"

Hearth extension or floor protector thickness above four (4) inches are generally not acceptable due to cost, floor load capacity, and look. The alternate we recommend is using Ceroform No. 126 millboard 1/8" minimum and putting any type decorative brick or stone (any thickness) on top of it.

* The K* factor represents thermal conductivity of a material and is time rate of heat flow through a homogeneous material under steady-state conditions, through unit area, per unit temperature gradient in the direction perpendicular to a surface.

CHIMNEY

These models are designed for connection to Simpson Duravent, Metal Fab and Ameritec HT-103 2100 deg pipe.

TOOLS FOR INSTALLATION

Drop cloth; 3/32" Metal drill bit; 5/16" Magnetic socket chuck adapter; 5/16" wrench (box or socket) or adjustable wrench; Jigsaw with masonry, metal and wood blades.

WARNING: DO NOT INSTALL IN A SLEEPING ROOM.

Select an installation location that will give best airflow from front of heater to remainder of home.

PREPARING STOVE FOR INSTALLATION

1. Inspect unit for any obvious physical damage.
2. Plug power cord into a 115V AC outlet to test fan and motor. Set switch to "Manual" and rheostat to "High" position to ensure motor operates properly. Route the cord to prevent damage to the cord insulation from heat and sharp objects. Keep cord out of the way of traffic to prevent damage caused by tripping, etc.
3. Check primary air draft control to ensure that it slides freely. (See Figure 4).
4. Remove any items from within firebox. Spread a dropcloth on floor behind heater. Next, tilt heater so that back is on drop cloth.
5. **(Leg Kit):** If legs are to be used, obtain four legs, attach legs to holes in bottom of unit with bolts and washers supplied with leg kit. (See Figure 4).
6. **(Pedestal Kit):** If pedestal kit is being used and **(out side air is required for residential free standing installation (see page 25 Out Side Air Installation))**. Open freestanding kit and obtain the stand. Place stand against bottom of heater (angle side to heater). Center stand front to rear and also center stand left and right. Mark screw locations on bottom of stove through outer holes of stand mounting angles. Set stand aside and drill four 7/32" holes in heater bottom. Before attaching heater to stand, take a large flat screwdriver or pliers and remove 2" x 2" knockout on bottom of unit. (See Figure 12A). Then mount stand to bottom of heater with screws provided. (See Figure 4A).
7. Obtain four (4) 3/16" self-tapping screws and secure stand to heater.
8. Reposition heater to upright position.

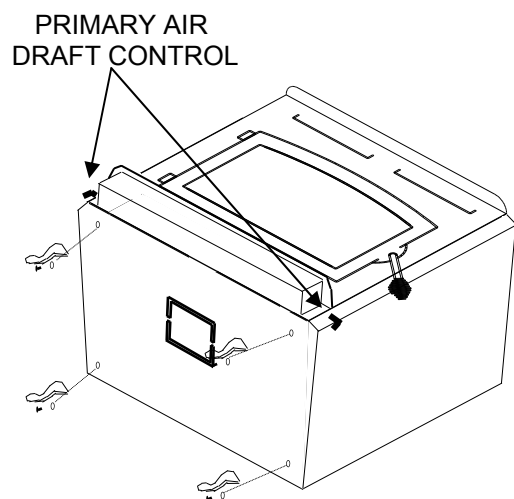


Figure 4

HOLES FOR MOUNTING PEDESTAL

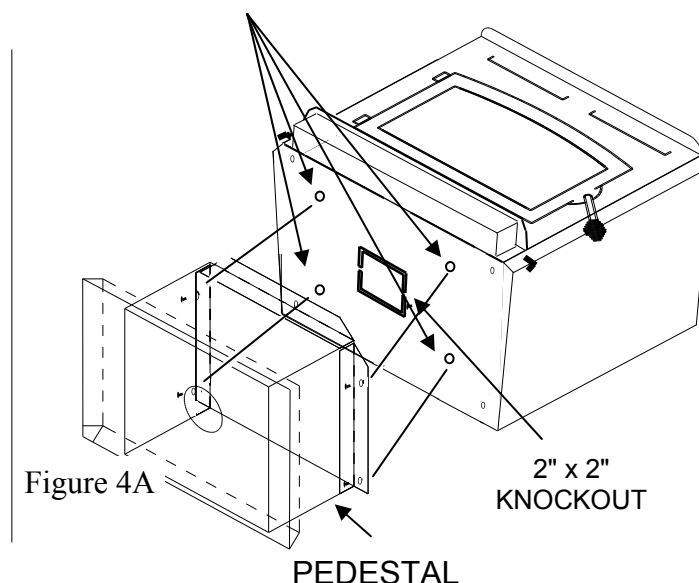


Figure 4A

1. Select an installation location that will give best airflow from front of heater to remainder of home.
2. Place protective floor pad in position. For minim floor protection (See Page 24).
3. Place unit on pad making sure minimum clearance specifications are met. For minimum clearance to combustibles (See Page 22).
4. Lightly mark with a pencil location of pedestal on protective pad.
5. Next, remove four (4) screws holding heater to stand. Position heater out of way of installation area.
6. Check that pedestal stand is still aligned with marks on protective pad, now mark outside air opening in bottom of pedestal stand on to pad.
7. Mark center line of outside air opening. Set stand aside for now.
8. Cut a 4 1/4" diameter hole in pad and continue through floor.

CAUTION!!

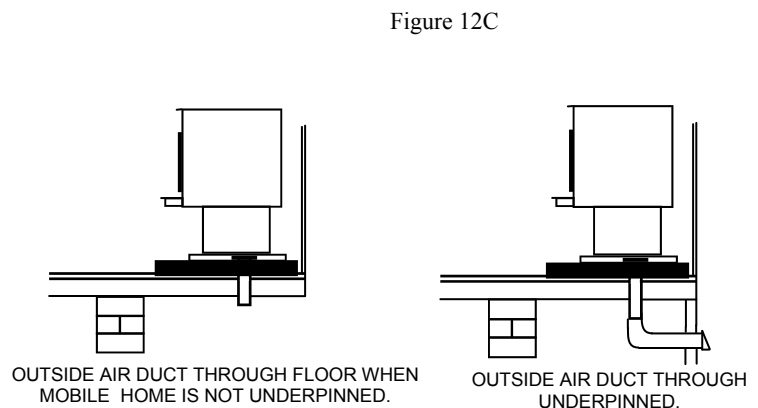
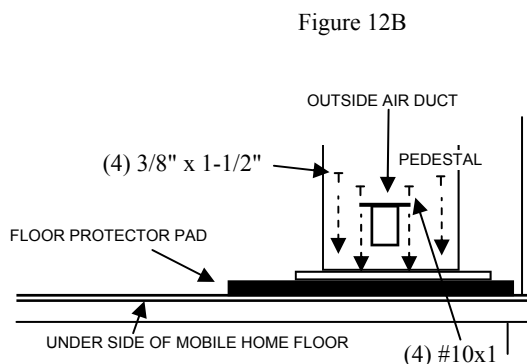
The structural integrity of home floor must be maintained. (Move opening and/or reposition heater location if necessary).

9. Now, reposition pedestal stand and set on pad being sure to line stand up with reference marks.
10. Using an electric drill and 3/8" masonry bit, drill four (4) holes in protective pad using holes in bottom of pedestal stand as a guide. Be careful to drill only through pad and not into floor. Change bit to a 1/4" metal bit and drill through floor.
11. Using four (4) 3/8" x 1-1/2" lag bolts provided, secure pedestal stand and pad to floor of home.

CAUTION:

IF A THICK FLOOR PROTECTOR IS USED, YOU MAY HAVE TO USE LONGER LAG BOLTS.

12. Obtain the outside air duct from box in pedestal kit marked FA P21B.
13. Slip duct down through the 4-1/4" hole until face of outside air duct with screen wire, contacts bottom of pedestal.
14. Secure outside air duct to inside bottom of pedestal using four (4) #10x1 screws provided. (See Figure 12B).
15. Set heater back onto stand and resecure using screws.
16. NOTE: If home is underpinned, you must duct through underpin as shown. (See Figure 12C).



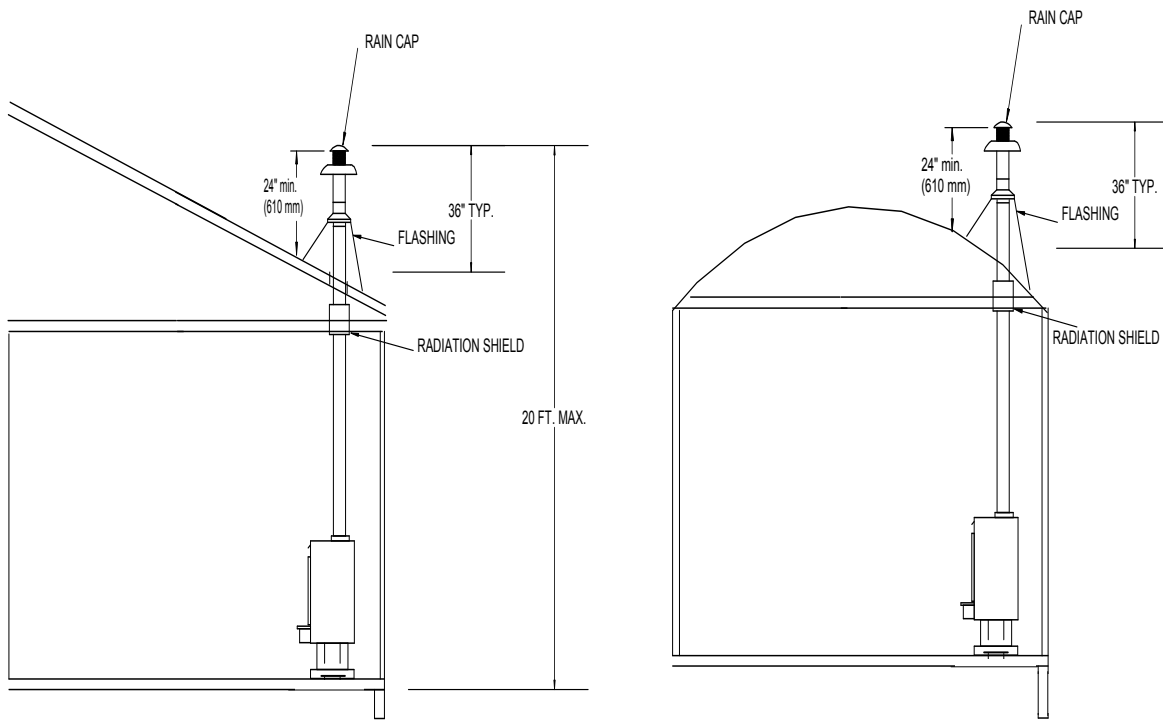


Figure 12D

For ceiling exit using close clearance listed chimney

1. Suspend a plumb bob from ceiling above unit so that the weight is hanging in center of flue exit. (A small weight on a string will serve as a plumb bob). Mark ceiling where string is suspended to locate center of the chimney hole.
2. After locating center of hole, install ceiling support box, chimney, flashing and rain cap using listed 2100° UL 103 HT chimney only. Only use pipe listed in this manual.

CAUTION

REFER TO CHIMNEY MANUFACTURER’S INSTRUCTIONS FOR ASSEMBLY AND DISASSEMBLY OF CHIMNEY PARTS. BE SURE TO FOLLOW CHIMNEY INSTRUCTIONS FOR PROPER CLEARANCES TO COMBUSTIBLE AND PROPER AIR SPACING REQUIRED.

3. Add additional pipe until both of the following are met:
 - (a) Chimney pipe is 3 feet higher than roof at the point where it penetrates the roof and

- (a) Chimney pipe is 3' higher than roof at the point where it penetrates the roof.
 - (b) Chimney pipe height is at least 2 feet higher than any part of the roof within 10 feet of chimney. (See Figure 12).
4. Next, install a New Buck Corporation chimney connector to the flue of the heater or use 3 “ELL” brackets and secure to top of heater and pipe.
 5. Using single wall chimney connector, connect heater to the chimney by following manufacturer's installation instructions exactly. (See Figure 13).

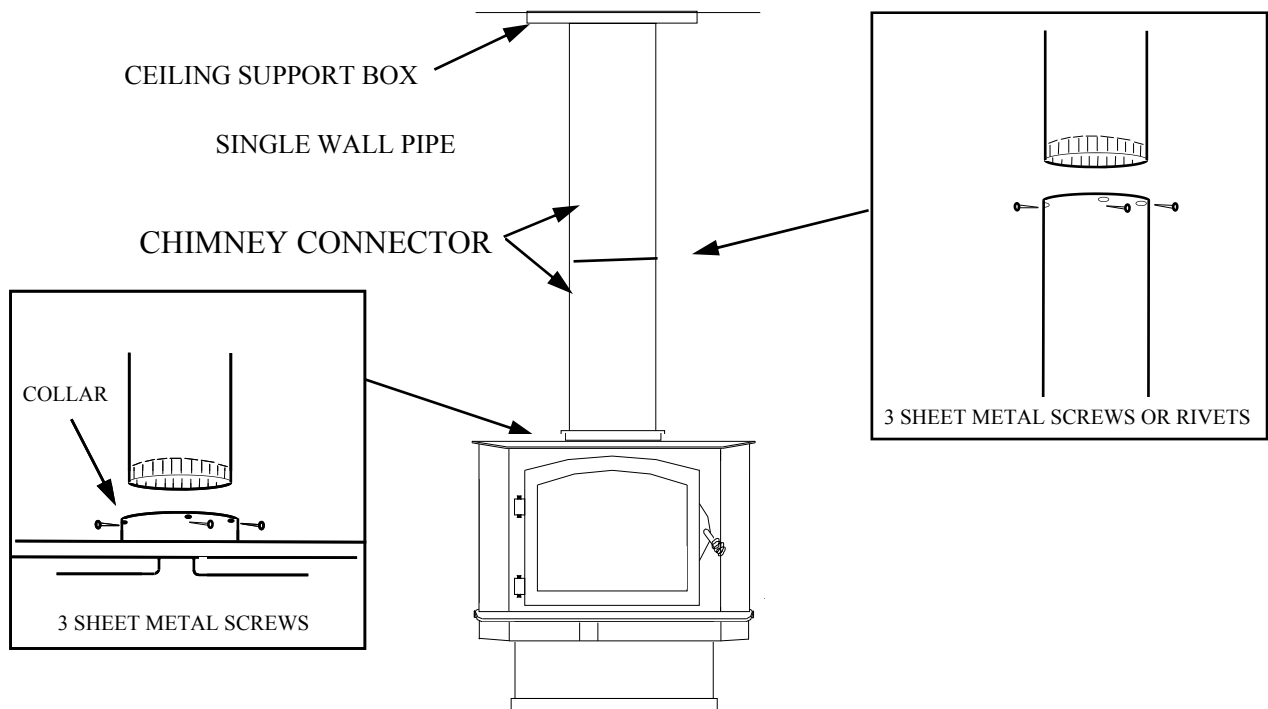


Figure 13

FINAL CHECK

1. Recheck specified clearances.
2. Remove all foreign material from firebox area.
3. Open primary air draft.

NOTE: Plug power cord into a 115V AC outlet. Set switch to “Manual” and rheostat to “High” position to ensure motor operates properly. Route cord to prevent damage to cord insulation from heat and sharp objects. Keep cord out of the way of traffic to prevent damage caused by tripping, etc.

4. Place crumpled pieces of newspaper in the stove. Light it and close doors. Ensure that stove draws properly through primary draft.
5. Check for smoke leaks around the doors.
6. Open doors and check for smoke escaping from the front of stove. Smoking usually indicates a defective or poorly positioned chimney. Some chimneys with a marginal draft can be preheated by lighting newspaper and holding it near open damper with a poker or fire tong. Once the chimney heats up, a proper draft can usually be obtained.

If a thorough review of Troubleshooting Guide in rear of manual does not reveal the problem, contact your dealer for assistance.

CAUTION

THE UNIT IS PAINTED WITH A SPECIALLY FORMULATED HIGH TEMPERATURE PAINT THAT CURES DURING THE FIRST TWO OR THREE FIRINGS. YOU MAY NOTICE A SLIGHT SMOKING EFFECT AND AN ODOR OF BURNING PAINT WHEN YOU BUILD THE FIRST FIRES. THIS IS NORMAL AND IS NOT A CAUSE FOR ALARM. IN SOME CASES, THESE FUMES WILL ACTIVATE A SMOKE ALARM. OPENING A WINDOW NEAR THE UNIT WILL ALLOW THESE FUMES TO ESCAPE. DO NOT BUILD A LARGE ROARING FIRE UNTIL THIS CURING PROCESS IS COMPLETE OR THE HEATER FINISH MAY BE DAMAGED.

SECTION VI WOOD HEATER SAFETY

Certain safety hazards are inherent in any wood heater installation. You should be aware of these so that a safe and proper installation can be made.

1. **FAULTY CHIMNEY:** An older masonry chimney should be thoroughly checked to be sure there are no holes or weak spots which could allow sparks or hot gases to escape.
2. **HEAT CONDUCTION:** Placing combustible materials too close to a heater or chimney can be a fire hazard.

By keeping these particular hazards in mind as you install and use your room heater you can ensure a safe, reliable installation.

The chimney and chimney connector should be inspected once every two months. Any build-up of soot should be removed to prevent the risk of a chimney fire. To remove chimney or chimney connector: Remove screws or fasteners. Remove pipe and clean with steel brush. Replace chimney or chimney connector, and replace screws and/or fasteners.

CAUTION

NEVER USE GASOLINE, GASOLINE TYPE LANTERN FUEL, KEROSENE, CHARCOAL LIGHTER FLUID OR SIMILAR LIQUIDS TO START OR "FRESHEN UP" A FIRE IN THE HEATER. KEEP ALL SUCH LIQUIDS WELL AWAY FROM THE STOVE WHEN IT IS IN USE. ALL FLUIDS OF THIS TYPE GIVE OFF VOLATILE FUMES AND CAN AND WILL EXPLODE!! DON'T TAKE A CHANCE WITH THE SAFETY OF YOUR HOME AND FAMILY.

CAUTION: Never remove ashes from heater with blower running.

DISPOSAL OF ASHES: Ashes should be placed in a metal container with a tight fitting lid. The closed container of ashes should be placed on a noncombustible floor or on ground, well away from all combustible materials pending final disposal. If ashes are disposed of by burial in soil or otherwise locally dispersed, they should be retained in closed container until all cinders have thoroughly cooled.

CREOSOTE-FORMATION AND NEED FOR REMOVAL: When wood is burned slowly, it produces tar and other organic vapors, which combine with expelled moisture to form creosote. The creosote vapors condense in relatively cool chimney flue of a slow-burning fire. As a result, creosote residue accumulates on flue lining. When ignited this creosote makes an extremely hot fire.

SECTION VII OPERATION

This section of manual is to help you get maximum efficiency and maximum smoke (particulate) reduction from your heater. If you should experience any difficulty or have any questions concerning your heater, contact your dealer for assistance.

The manufacturer recommends that for maximum performance burn dried natural seasoned hard wood.

NOTE: Soft woods such as pine, create more creosote, clogging of chimney, and produce a less efficient burn performance.

Build a fire for maximum efficiency. These models burn wood and extract heat so efficiently, a large fire is not necessary. A large fire not only wastes energy, it usually results in home being too warm for comfort.

The following steps will serve as a guide for operating your stove.

BUILDING A FIRE

1. Open door.
2. Open primary air controls located on right and left sides of the stove under hearth. To open, push all way in. To close, pull all way out. Adjustments to airflow may be made by positioning handle anywhere in between.
3. Twist two pieces of non-colored newspaper into a roll and place them on floor of firebox.

NOTE: "Do not use grate or elevate fire. Build wood fire directly on inner bottom of fire box."

4. These models are not designed for use of grates, andirons or other methods of supporting fuel.
5. Lay several pieces of dry kindling on top of newspaper.

6. Place three or four small pieces of firewood, 2-3" in diameter, on top of kindling.

NOTE: For best results place and burn wood from front to rear in stove.

7. Light newspaper in front, close and latch door. Don't leave fire unattended at this point. The draft system of heater should start quickly. It may be necessary to preheat chimney to get draft started. To do this, open door and add newspaper to top rear of wood. Light or let this paper ignite and allow to burn while holding door slightly cracked. Once draft has started, close and lock door. You are over heating unit if chimney and/or connector glows red.
8. **After embers and a coal bed have been established, load heater with dried natural seasoned hard wood.**

NOTE: If blower is being used on the Model 85. Your stove is equipped with a automatic thermostat. When stove gets hot enough, thermostat will activate room air blower. Set fan speed according to desired heat output.

NOTE: When refueling or removing ashes turn "OFF" room air blower. Be sure to turn room air blower back on when finished.

NOTE: Do not run power cord underneath heater, or in walk way or heavy traffic areas.

NOTE: THE FUELING AND ASH REMOVAL DOORS MUST REMAIN CLOSED DURING OPERATION.

Your unit does not have a damper. You must use the primary air levers for your control of fire. To open, push levers in, and to close, pull levers out.

ROOM AIR BLOWER OPERATION

Your heater is equipped with a room air blower. For operation and wiring see Figure 14.

For your convenience your heater is equipped with a rheostat with which you are able to select the air flow. The auto and manual switch will allow you to select the position at which the thermostat will function.

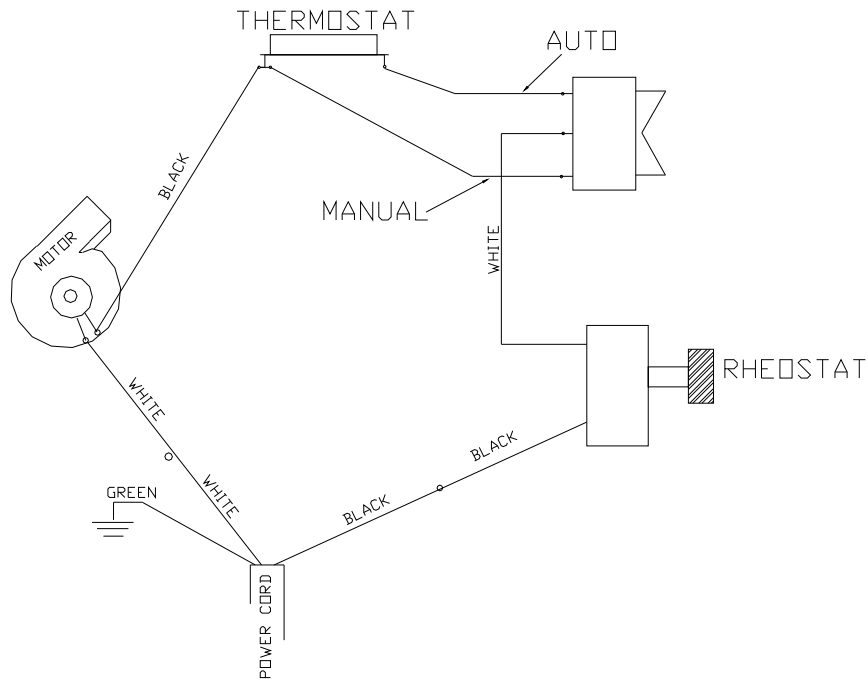


Figure 14

Auto-position: After heater has warmed up and the Auto-Manual switch is placed in “Auto” position and rheostat is in desired position, then fan will automatically come on. When stove cools off the fan will automatically shut-off.

Manual position: You must turn room air blower on and off.

NOTE: Plug power cord into a 115V AC outlet. Set switch to “Manual” and rheostat to “High” position to ensure motor operates properly. Route cord to prevent damage to cord insulation from heat and sharp objects. Keep cord out of way of traffic to prevent damage caused by tripping, etc.

SECTION VIII TROUBLESHOOTING

PROBLEM	POSSIBLE CAUSE	SOLUTION
Sluggish Heater	Obstruction in chimney	Check for and remove obstruction
	Improperly sealed trim kit or direct connect kit	(a) Check trim kit gasketing seal to fireplace and gasket as necessary to seal unit. Gasket under front bottom of stove if needed. (b) Check seal if using direct connect and correct.
	Wet or unseasoned wood being burned	Burn dry, natural seasoned hard wood
	Poor chimney draft	Improper chimney height or wrong size flue is being used. Cooler temperatures caused by external chimney
High fuel consumption	Improper regulation of draft or inlet air	(a) Close inlet air control as much as possible to maintain desired heat output (b) Check gaskets, reinstall fiberglass gasketing round doors and glass as necessary
	Improper door fitting	Check door gasket, check adjustment of door latch
Backpuffing	Gusts of Wind	(a) Smoke shelf in chimney is filled with creosote & ash (b) Chimney may need wind diverter. Raise chimney for better draft
Smoke rollout when heater door is opened	Wind gusts blowing down the chimney	(a) Smoke shelf in chimney is filled with creosote & ash (b) Chimney may need wind diverter. Raise chimney for better draft
	Opening heater door too fast	Open air control. Crack door for 15 seconds before fully opening door

REPLACEMENT PARTS FOR MODEL 85

1. Air Control Bar	MF 882040
2. Door Handle Assembly	PA 910096
3. Door Latch	PC 910098
4. Door Handle Washer	PO 91WASH
5. Front door bushing	PO 910102
6. Door Gold	PC 212400G
7. Door Black	PC 212400
8. Carling Fan Auto/Man Switch	PE RC211RB
9. Thermostat 110 disc	PE 400132
10. Power Cord	PE 400240
11. Strain Relief	PE 400320
12. Motor	PE 910714
13. Rheostat	PE BC204
14. Rheostat knob	PE BC204A
15. Glass	PG 2124GL
16. No Parts	
17. Glass clip	PH 103212HWSPS5
18. Spring Handle	PO 100150
19. "U" Drive Screw 5/16" x 1/2"	PO 516U
20. Top Firebox Blanket	PO 810013
21. Secondary Air Tube	PO 810050
22. Bottom Firebox Blanket	PO 810054
23. Primary Air Block	MF 852038
24. Side Brass Overlay	PO 810104G
25. Top Baffle Plate	PO 810116
26. Hearth Brass	PO
27. 1" x 1" x 1/8" thick magnet	PO DM841
28. Firebrick	PR 900050

NEW BUCK CORPORATION (NBC)
"LIMITED WARRANTY" FOR THE BUCK STOVE
PLEASE READ THIS WARRANTY CAREFULLY

PRODUCTS COVERED

This warranty covers the new Buck Stove heating unit, so long as it is owned by the original purchaser, including optional and standard accessories purchased at the same time, subject to terms, limitations, and conditions herein set out.

PRODUCTS NOT COVERED

This warranty does not cover the following:
Glass, Refractory material or firebrick, Gaskets.

This Warranty will not cover any damage and/or failure caused by abuse or improper installation of the products covered.

WARRANTY TIME PERIODS

(A) Period I

For one (1) year from the date of purchase, NBC will replace or repair, at its option, any part defective in materials or workmanship. The costs of parts only are included. The customer pays any labor or transportation charges required.

Thereafter,

(B) Period II

For the period after the first year from the date of purchase and extending for five (5) years as long as the Buck Stove is owned by the original purchaser, NBC will repair or replace, at its option, any part defective in materials or workmanship, with the exception of: electrical motors, wiring, switches, and components: optional and standard accessories; and all parts not permanently attached to the heating unit. Parts not permanently attached to the heating unit are defined as those items designed to be removed from the stove, including those removable with common hand tools. The costs of parts only are included. The customer pays any labor or transportation charges required.

PROCEDURE

Should you feel that your BUCK STOVE is defective, you should contact any Buck Stove dealer for the name of your nearest authorized Buck Stove service representative, who will instruct you on the proper procedure, depending on which Warranty Time Period (Period I or Period II) applies.

If for any reason you are dissatisfied with the suggested procedures, you may contact us in writing at:

New Buck Corporation
Customer Service Department
P. O. Box 69
Spruce Pine, NC 28777

CONDITIONS AND EXCLUSIONS

- (A) Replacement of parts may be in the form of new or fully reconditioned parts, at NBC's option.
- (B) There is no other express warranty. All implied warranties of merchantability and fitness for use are limited to the duration of the Express Warranty.
- (C) New Buck Corporation is not liable for indirect, incidental, or consequential damages in connection with the use of the product including any cost or expense of providing substitute equipment or service during periods of malfunction or non-use. Some states do not allow the exclusion of incidental or consequential damages, so the above exclusion may not apply to you.
- (D) All warranty repairs under this warranty must be performed by an authorized Buck Stove service representative. Repairs or attempted repairs by anyone other than an authorized service representative are not covered under this warranty. In addition, these unauthorized repairs may result in additional malfunctions, the correction of which is not covered by warranty.

OTHER RIGHTS

This warranty gives you specific legal rights, and you may also have other rights, which vary from state to state.

OWNER REGISTRATION CARD

The attached Owner Registration Card must be completed in its entirety and mailed within 30 days from the date of purchase or from the date of installation, if installed by a factory certified installer, to New Buck Corporation in order for warranty coverage to begin.

PLEASE NOTE: The Owner Registration Card must contain the Authorized Buck Stove Dealer Code Number and the Certified Installer's number (if applicable) for warranty coverage to begin.

To be completed by selling distributor or dealer for customer:

Warranty Card Not Available On Web & Replacement Versions